

no longer available - archive entry Alternative article: RM3007

When selecting an alternative article and accessories please note that technical data may differ!

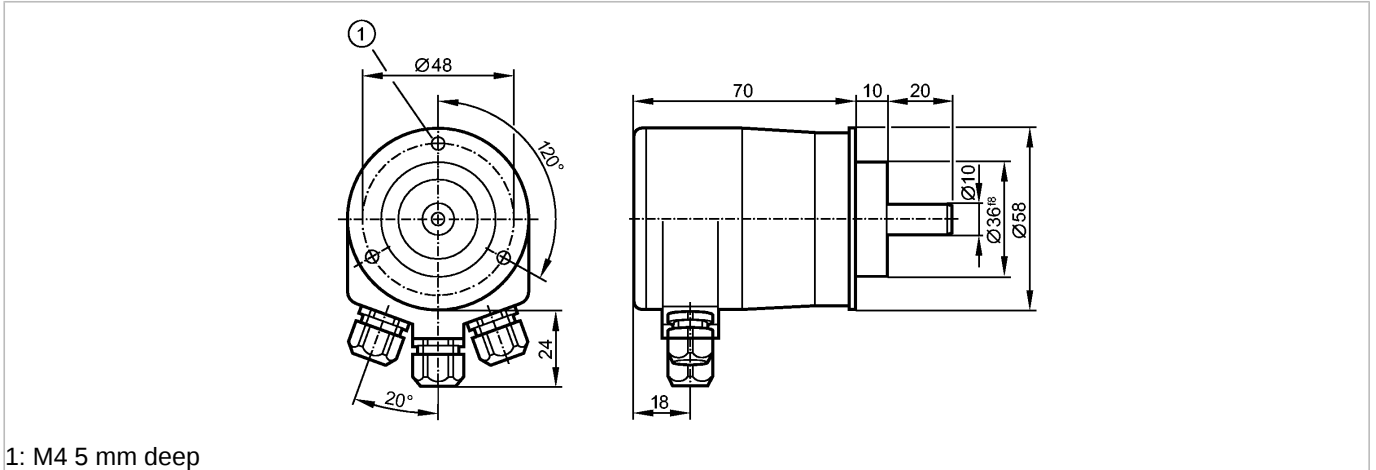
efector 400

RM3005



RMV Profibus

Encoders



1: M4 5 mm deep



Product characteristics

Multiturn solid shaft encoder

Profibus data interface

Terminals

Clamping flange

8192 steps

4096 revolutions

Electrical data

Operating voltage [V]

10...30 DC

Current consumption [mA]

< 150

Max. permissible rpm / elec. [1/min]

6000

Code

Dual-code

Outputs

Output function

Profibus data interface

Measuring / setting range

Encoders

Addressing

Address selector switch; decimal setting of address 0...126

Resolution

25 bits

Software / programming

Programming options

Direction of counting of the code values; resolution; zero point, limit switch HI and LO; running indication, multi/singleturn separation (programming functions to Profibus Encoder - Profile Class 2)

Interfaces

Diagnostic function

Alarms; warnings; status; serial number of the encoder (diagnostic functions to Profibus Encoder - Profile Class 2)

Programming interface

Profibus DPV0 Class 2 (EN50170) / max. 12 Mbit/s

Mechanical data

Max. permissible rpm / mech. [1/min]

12000

Starting torque [Ncm]

< 1 (20 °C)

Max. shaft load (at the shaft end) [N]

axial 10; radial 20

Shaft, material [mm]

Ø 10, steel (1.4104)

Vibration resistance

10 g (55...2000 Hz)

Shock resistance

100 g (6 ms)

Housing materials

aluminum

Weight [kg]

0.622

Environment

RM3005 - Multiturn solid shaft encoder - eclass: 27270590 / 27-27-05-90

Ambient temperature	[°C]	-40...70
Protection		IP 66; IP 67 (housing); IP 66 (shaft)
Tests / approvals		
MTTF	[Years]	46
Electrical connection		
Connection		Terminal strip in the terminal chamber
Max. cable length	[m]	400 (1.5 Mb/s); 100 (12 Mb/s)
Remarks		
Pack quantity	[piece]	1

ifm efector, inc. • 1100 Atwater Drive • Malvern • PA 19355 — We reserve the right to make technical alterations without prior notice. — US — RM3005 — 12.02.2014

no longer available - archive entryAlternative article: RM3007

When selecting an alternative article and accessories please note that technical data may differ!