



### Model Number

RJ15-14-N

### Features

- 15 mm inside diameter

## Technical Data

### General specifications

Switching function	Normally closed (NC)
Output type	NAMUR
Installation	
Inside diameter	15 mm
Measuring cylinder	9S20K
Diameter	3 mm
Length	6 mm

### Nominal ratings

Nominal voltage	$U_o$	8.2 V ( $R_i$ approx. 1 k $\Omega$ )
Operating voltage	$U_B$	5 ... 25 V
Switching frequency	f	0 ... 1500 Hz
Current consumption		
Measuring plate not detected		≥ 3 mA
Measuring plate detected		≤ 1 mA

### Functional safety related parameters

MTTF <sub>d</sub>	10800 a
Mission Time ( $T_M$ )	20 a
Diagnostic Coverage (DC)	0 %

### Ambient conditions

Ambient temperature	-25 ... 70 °C (-13 ... 158 °F)
---------------------	--------------------------------

### Mechanical specifications

Connection type	cable PVC , 2 m
Core cross-section	0.14 mm <sup>2</sup>
Housing material	PBT
Degree of protection	IP67
Cable	
Bending radius	> 10 x cable diameter

### General information

Use in the hazardous area	see instruction manuals
Category	2G

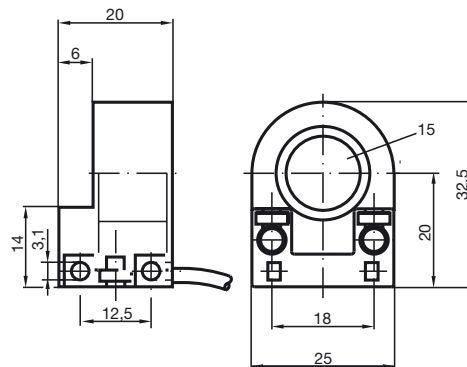
### Compliance with standards and directives

Standard conformity	
NAMUR	EN 60947-5-6:2000 IEC 60947-5-6:1999
Standards	EN 60947-5-2:2007 IEC 60947-5-2:2007

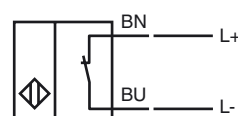
### Approvals and certificates

UL approval	cULus Listed, General Purpose
CSA approval	cCSAus Listed, General Purpose

## Dimensions



## Electrical Connection



**Equipment protection level Gb**

Instruction

**Device category 2G**

EC-Type Examination Certificate

CE marking

ATEX marking

Standards

Appropriate type

Effective internal inductivity  $C_i$ Effective internal inductance  $L_i$ 

General

Maximum permissible ambient temperature  $T_{amb}$ 

Installation, commissioning

Maintenance

**Manual electrical apparatus for hazardous areas**

for use in hazardous areas with gas, vapour and mist

PTB 99 ATEX 2128 X

CE 0102

II 2G Ex ia IIC T6...T1 Gb

EN 60079-0:2012, EN 60079-11:2012

Ignition protection "Intrinsic safety"

Use is restricted to the following stated conditions

RJ15-...-N...

 $\leq 130 \text{ nF}$  ; a cable length of 10 m is considered. $\leq 20 \mu\text{H}$  ; a cable length of 10 m is considered.

The apparatus has to be operated according to the appropriate data in the data sheet and in this instruction manual. The EU-type examination certificate has to be observed. The special conditions must be adhered to!

The temperature ranges, according to temperature class, are given in the EC-Type Examination Certificate.

Laws and/or regulations and standards governing the use or intended usage goal must be observed. The intrinsic safety is only assured in connection with an appropriate related apparatus and according to the proof of intrinsic safety. Install the device in such a way that the resin surface is not exposed to mechanical hazards.

No changes can be made to apparatus, which are operated in hazardous areas. Repairs to these apparatus are not possible.