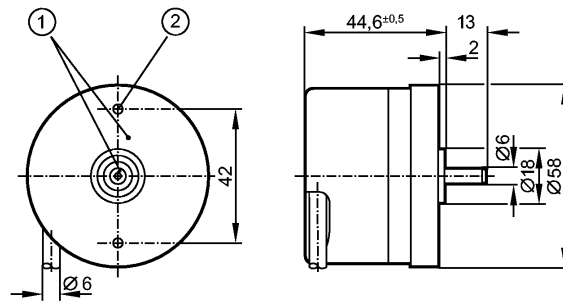


Article discontinued as of 31.March 2016



1: reference mark  
2: M3 5 mm deep



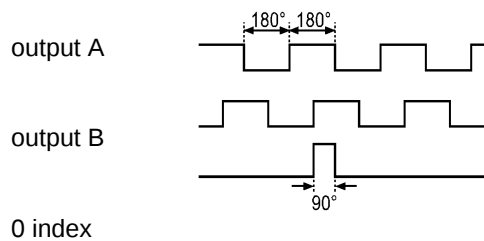
### Product characteristics

Solid shaft encoder  
HTL-output 50 mA, short-circuit protected, < 1 min  
Cable  
6 signals  
Resolution 360

### Electrical data

Operating voltage [V]	10...30 DC
Current consumption [mA]	< 150
Phase difference A und B [°]	90
Switching frequency [kHz]	300

Pulse diagram



### Outputs

Output function	HTL-output 50 mA, short-circuit protected, < 1 min
-----------------	--

### Measuring / setting range

Encoders	
Resolution	360

### Mechanical data

Max. permissible rpm / mech. [1/min]	16000
Starting torque [Ncm]	< 1 (20 °C)
Max. shaft load (at the shaft end) [N]	axial 10; radial 20
Shaft, material [mm]	Ø 6, steel (1.4104)
Vibration resistance	30 g
Shock resistance	200 g
Housing materials	aluminum
Weight [kg]	0.48

### Environment



## RC6012

RC-0360-I24/L2

Max. relative air humidity	[%]	max. 98
Ambient temperature	[°C]	-40...100, -40 °C for firmly laid cable
Protection		IP 64; IP 67 (housing); IP 64 (shaft)

### Tests / approvals

MTTF	[Years]	190
------	---------	-----

### Electrical connection

Connection		PUR cable / 2 m; radial, can also be used axially
Max. cable length	[m]	300

### Wiring

brown: A  
 green: A (inv.)  
 grey: B  
 pink: B (inv.)  
 red: 0 index  
 black: 0 index (inv.)  
 blue: L+ (sensor)  
 white: 0V (sensor)  
 brown/green: L+ (Up)  
 white/green: 0V (Un)  
 lilac: error (inv.)  
 screen: housing

### Remarks

Pack quantity	[piece]	1
---------------	---------	---

ifm efector, inc. • 1100 Atwater Drive • Malvern • PA 19355 — We reserve the right to make technical alterations without prior notice. — US — RC6012 — 12.03.2015

**Article discontinued as of 31.March 2016**