

no longer available - archive entryDiscontinued article

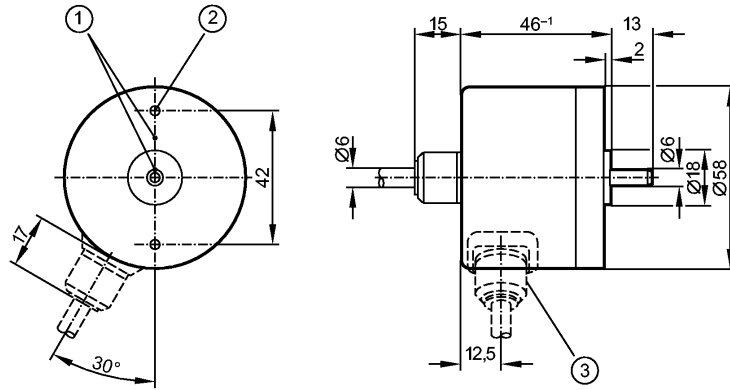
# efector 400<sup>®</sup>

RC6005



RC-0125-I24/L2

Encoders



1: reference mark  
2: M3 5 mm deep



## Product characteristics

Solid shaft encoder

HTL-output 50 mA, short-circuit protected, < 1 min

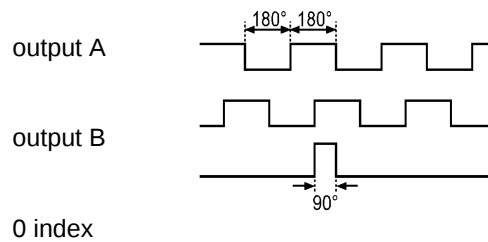
Cable

Resolution 125

Electrical data

Operating voltage	[V]	10...30 DC
Current consumption	[mA]	150
Phase difference A und B	[°]	90
Switching frequency	[kHz]	300

Pulse diagram



Outputs

Output function

HTL-output 50 mA, short-circuit protected, < 1 min

Measuring / setting range

Encoders

Resolution

125

Mechanical data

Max. permissible rpm / mech.	[1/min]	12000
Starting torque	[Ncm]	< 1 (20 °C)
Max. shaft load (at the shaft end)	[N]	axial 10; radial 20
Shaft, material	[mm]	Ø 6, steel (1.4104)
Vibration resistance		10 g (55...2000 Hz)
Shock resistance		100 g (6 ms)
Housing materials		aluminum
Weight	[kg]	0.438
Environment		
Max. relative air humidity	[%]	max. 98
Ambient temperature	[°C]	-20...85

**RC6005 - Solid shaft encoder - eclass: 27270590 / 27-27-05-90**

Storage temperature	[°C]	-30...100
Protection		IP 64
Tests / approvals		
MTTF	[Years]	190
Electrical connection		
Connection		PUR cable / 2 m; axial
<b>Wiring</b>		
brown:	A	
green:	A (inv.)	
grey:	B	
pink:	B (inv.)	
red:	0 index	
black:	0 index (inv.)	
blue:	L+ (sensor)	
white:	0V (sensor)	
brown/green:	L+ (Up)	
white/green:	0V (Un)	
lilac:	error (inv.)	
screen:	housing	
Remarks		
Pack quantity	[piece]	1

ifm efector, inc. • 1100 Atwater Drive • Malvern • PA 19355 — We reserve the right to make technical alterations without prior notice. — US — RC6005 — 01.09.2010  
no longer available - archive entryDiscontinued article