

Article discontinued as of 31.March 2016

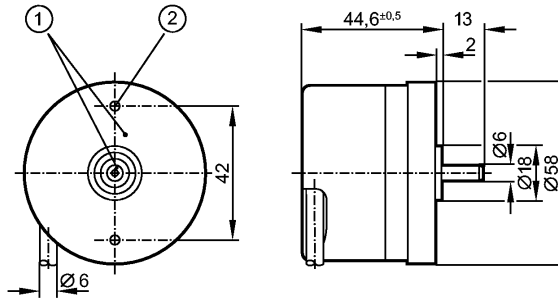
efector 400[®]

RC1014



RC-0500-I05/L2

Encoders



1: reference mark
2: M3 5 mm deep



Product characteristics

Solid shaft encoder	
TTL output 20 mA	
Cable	
6 signals	
Resolution 500	
Electrical data	
Operating voltage [V]	5 DC ± 0.5
Current consumption [mA]	< 120
Phase difference A und B [°]	90
Switching frequency [kHz]	300
Pulse diagram	
Outputs	
Output function	TTL output 20 mA
Measuring / setting range	
Encoders	
Resolution	500
Mechanical data	
Max. permissible rpm / mech. [1/min]	16000
Starting torque [Ncm]	< 1 (20 °C)
Max. shaft load (at the shaft end) [N]	axial 10; radial 20
Shaft, material [mm]	Ø 6, steel (1.4104)
Vibration resistance	30 g
Shock resistance	200 g
Housing materials	aluminum
Weight [kg]	0.472
Environment	
Max. relative air humidity [%]	max. 98
Ambient temperature [°C]	-40...100, -40 °C for firmly laid cable
Protection	IP 64; IP 67 (housing); IP 64 (shaft)
Tests / approvals	

RC1014 - Solid shaft encoder - eclass: 27270590 / 27-27-05-90

MTTF	[Years]	190
Electrical connection		
Connection		PUR cable / 2 m; radial, can also be used axially
Max. cable length	[m]	100
Wiring		
brown:	A	
green:	A (inv.)	
grey:	B	
pink:	B (inv.)	
red:	0 index	
black:	0 index (inv.)	
blue:	L+ (sensor)	
white:	0V (sensor)	
brown/green:	L+ (Up)	
white/green:	0V (Un)	
lilac:	error (inv.)	
screen:	housing	
Remarks		
Pack quantity	[piece]	1

ifm efector, inc. • 1100 Atwater Drive • Malvern • PA 19355 — We reserve the right to make technical alterations without prior notice. — US — RC1014 — 12.03.2015
 Article discontinued as of 31.March 2016