

VITECTOR

FRABA



Photo Eyes

RAY-NS 1000



General Data

Technology	Through Beam Photo Eye
Application	Object Protection (CE) / Entrapment Protection (UL)
Interface	2-Wire Interface
Operation Range	1 ... 13 m (3.3 ... 42.7 ft)
Supply Voltage	6 ... 40 V DC
Certification	UL 325
Mounting	Mounting Bracket
Connection Cable	0.9 m (3 ft)
Protection Class	NEMA 1
Operation Temperature	-12 ... +74 °C (-10 ... +165 °F)
Housing Material	ABS-PC blend
Housing Diameter	25 mm [1 "]
Length of the Housing	50 mm (2 in)
Remarks	Mounting Bracket
Unit of Measure	Piece

VITECTOR

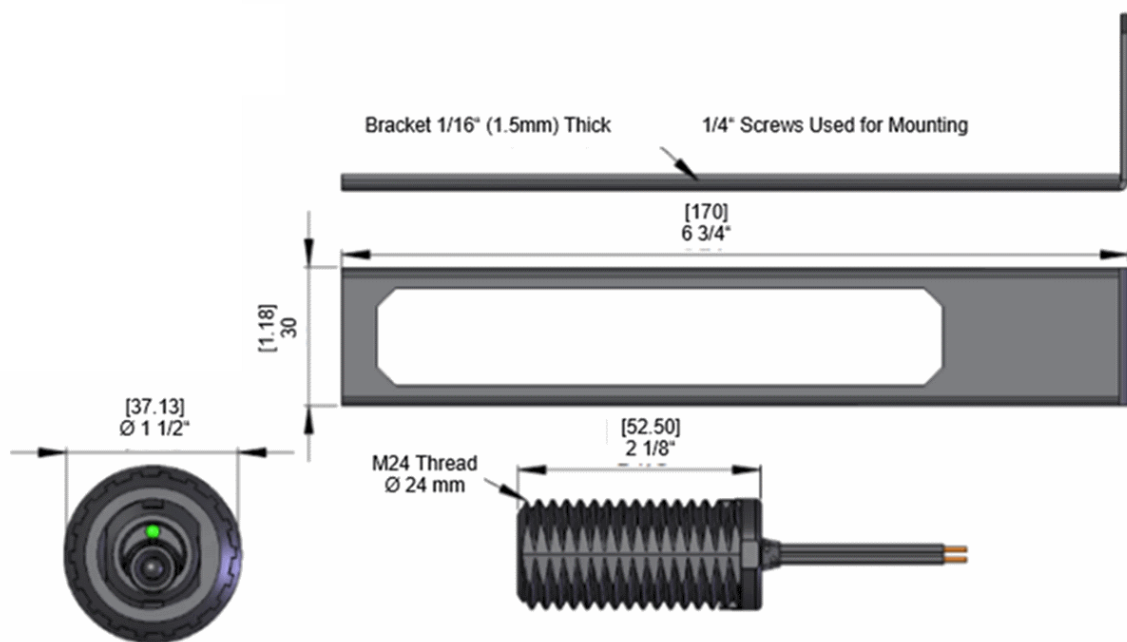
FRABA



Bracket Mount



Dimensions



Compatible Controllers

Data Sheet
Printed at 12-02-2021 02:02

VITECTOR

FRABA



	Product	Supply Voltage	Input Type of Sensing Edge
	OSE-C 1004	24 V AC/DC	2-Wire
	OSE-C 1003	24 V AC/DC	2-Wire

Contact



VITECTOR
info@vitector.com

All dimension in [inch] mm. This drawing and the information contained is for general presentation purposes only. Please refer to the "Download" section for detailed technical drawings. © FRABA B.V., All rights reserved. We do not assume responsibility for technical inaccuracies or omissions. Specifications are subject to change without notice.