

no longer available - archive entry replaced by: PN5004

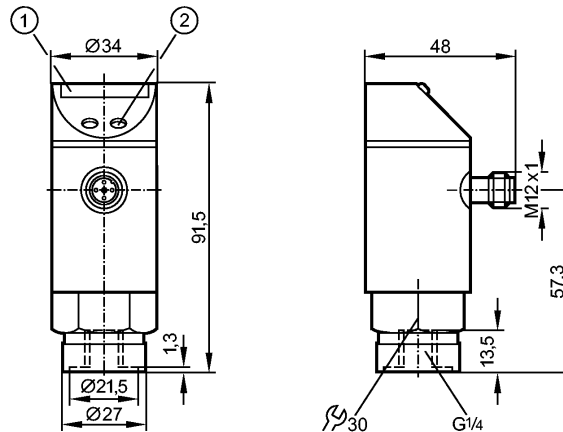
efectorsoo

PZ9984



PZ-010KRBR14-HFPKG/US/V

Pressure sensors



1: LED display
2: Programming button



Product characteristics

Electronic pressure monitor

Quick disconnect

Adjustable hysteresis

Process connection: G ¼ I

Switching output

LED display

Measuring range: 0...1000 kPa

Application

Application

Type of pressure: relative pressure
Liquids and gases

Pressure rating	[kPa]
Bursting pressure min.	[kPa]
Medium temperature	[°C]

5000
15000
-25...80

Electrical data

Electrical design

DC PNP

Operating voltage	[V]
Current consumption	[mA]
Insulation resistance	[MΩ]

18...30 DC
< 50
> 100 (500 V DC)

Protection class

III

Reverse polarity protection

yes

Outputs

Output

Switching output

Output function

normally open / closed programmable

Current rating	[mA]
Voltage drop	[V]

250
< 2

Short-circuit protection

yes (non-latching)

Overload protection

yes

Switching frequency [Hz]

10

Measuring / setting range

Measuring range [kPa]

0...1000

Setting range

Set point, SP [kPa]

50...1000

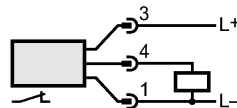
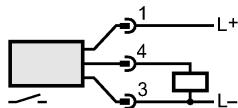
Reset point, rP [kPa]

30...980

PZ9984 - Electronic pressure monitor - eclass: 27201302 / 27-20-13-02

in steps of	[kPa]	10
Accuracy / deviations		
Deviations (% of value of measuring range)		
Switch point accuracy		< ± 2.0
Repeatability		< ± 0.25
Temperature drift (/ 10 K)		< ± 0.3
in the temperature range	[°C]	-25...80
Reaction times		
Power-on delay time	[s]	0.2
Integrated watchdog		yes
Software / programming		
Adjustment of the switch point		Programming button
Environment		
Ambient temperature	[°C]	-25...80
Storage temperature	[°C]	-40...100
Protection		IP 65
Tests / approvals		
EMC		EN 61000-4-2 ESD: 4 kV CD / 8 kV AD EN 61000-4-3 HF radiated: 10 V/m EN 61000-4-4 Burst: 2 kV EN 61000-4-6 HF conducted: 10 V
Shock resistance		DIN IEC 68-2-27: 50 g (11 ms)
Vibration resistance		DIN IEC 68-2-6: 20 g (10...2000 Hz)
Mechanical data		
Process connection		G ¼ I
Materials (wetted parts)		FPM (Viton); ceramics; stainless steel (303S22)
Housing materials		EPDM/X (Santoprene); FPM (Viton); NBR (Buna N); PA; PBT (Pocan); PC (Makrolon); PTFE; stainless steel (304S15)
Switching cycles min.		100 million
Weight	[kg]	0.29
Displays / operating elements		
Display		Switching status LED yellow Measured values 10 LEDs green (in 10 % steps of the final value)
Electrical connection		
Connection		M12 connector; gold-plated contacts

Wiring



Remarks

Pack quantity	[piece]	1
---------------	---------	---