

no longer available - archive entry

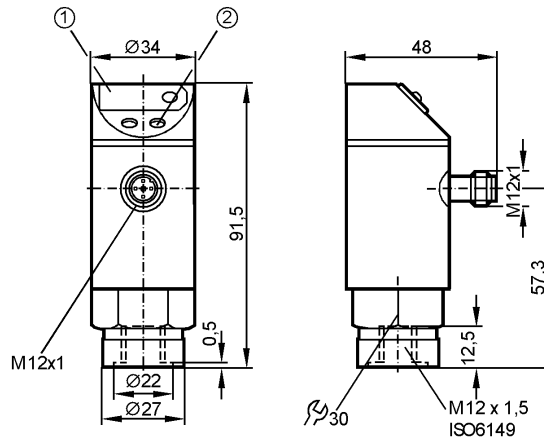
**efectorsoo**

PY5122



PY-100MSBM12-HFPKG/US/ N

Pressure sensors



- 1: 7-segment LED display  
2: Programming button



Product characteristics

Electronic pressure monitor

M12 x 1.5

Quick disconnect

Function programmable

Switching output

7-segment LED display

Measuring range: 0...10 MPa

Application

Application

Type of pressure: relative pressure  
Liquids and gases  
For gaseous media the application is limited to max. 25 bar (2.5 MPa)

Pressure rating	[MPa]
Bursting pressure min.	[MPa]
Medium temperature	[°C]

	30
	65
	-25...80

Electrical data

Electrical design

Operating voltage	[V]
Current consumption	[mA]
Insulation resistance	[MΩ]

	DC PNP
	18...30 DC
	< 60
	> 100 (500 V DC)

Protection class

Reverse polarity protection

	III
	yes

Outputs

Output

Output function	
Current rating	[mA]
Voltage drop	[V]

	Switching output
	normally open / closed programmable
	250
	< 2

Short-circuit protection

Overload protection

Switching frequency for a given set response time of one output \*)


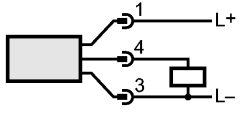
Response time (dAP)									
[ms]	3	6	10	17	30	60	125	250	500
Switching frequency									
[Hz]	170	80	50	30	16	8	4	2	1

Measuring / setting range

Measuring range [MPa]

	0...10
--	--------

**PY5122 - Electronic pressure monitor - eclass: 27201302 / 27-20-13-02**

Setting range		
Set point, SP	[MPa]	0.10...10.0
Reset point, rP	[MPa]	0.05...9.95
in steps of	[MPa]	0.05
Accuracy / deviations		
Deviations (% of value of measuring range)		
Switch point accuracy		< ± 1.0
Repeatability		< ± 0.25
Temperature drift ( / 10 K)		< ± 0.3
in the temperature range	[°C]	-25...80
Reaction times		
Power-on delay time	[s]	0.2
Delay time programmable dS, dr	[s]	0, 0.2,...10, 11,...50
Integrated watchdog		yes
Software / programming		
Programming options		hysteresis / window function; N.O. / N.C.; on delay, off delay; damping
Adjustment of the switch point		Programming button
Environment		
Ambient temperature	[°C]	-25...80
Storage temperature	[°C]	-40...100
Protection		IP 67
Tests / approvals		
EMC		EN 61000-4-2 ESD: 4 kV CD / 8 kV AD EN 61000-4-3 HF radiated: 10 V/m EN 61000-4-4 Burst: 2 kV EN 61000-4-6 HF conducted: 10 V
Shock resistance		DIN IEC 68-2-27: 50 g (11 ms)
Vibration resistance		DIN IEC 68-2-6: 20 g (10...2000 Hz)
Mechanical data		
Materials (wetted parts)		stainless steel (303S22); ceramics; FPM (Viton)
Housing materials		stainless steel (303S22); PBT (Pocan); PC (Makrolon); PA; EPDM/X (Santoprene); FPM (Viton)
Switching cycles min.		100 million
Weight	[kg]	0.277
Displays / operating elements		
Display		Switching status LED red Function display 7-segment LED display Measured values 7-segment LED display
Electrical connection		
Connection		M12 connector; gold-plated contacts
<b>Wiring</b>		
Programming of the output function:		
Hno = hysteresis / N.O.		
Hnc = hysteresis / N.C.		
Fno = window function / N.O.		
Fnc = window function / N.C.		
	 	
Remarks		
Remarks		*) at rectangular pressure characteristic and setting: switch-on point (SPx) = 70 %, switch-off point (rPx) = 30 %
Pack quantity	[piece]	1