

no longer available - archive entry Alternative article: PP7554 + AC5225

No longer to be used for new applications.

When selecting an alternative article and accessories please note that technical data may differ!

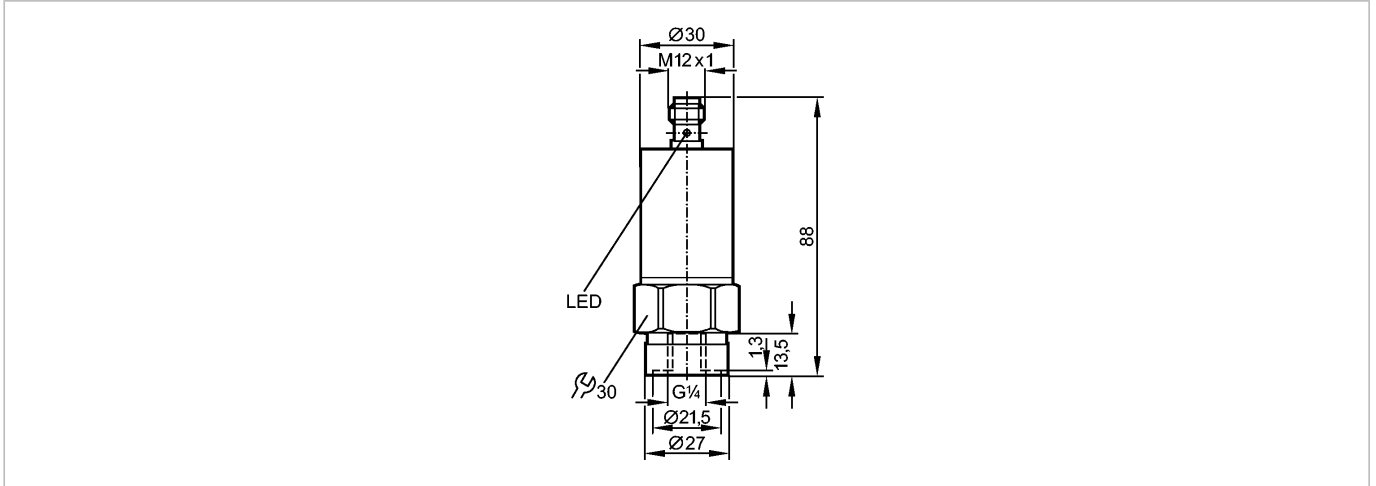
**efectorsoo**

PPA024



PPA010-RBR14-ASIVG/US/ IV

Pressure sensors



Product characteristics

Electronic pressure sensor

Quick disconnect

Analog value

(16 bit value incl. sign)

AS-i profile S-7.3

Process connection: G ¼ I

Measuring range: 0...10 bar

Application

Application

Type of pressure: relative pressure  
Liquids and gases

Pressure rating [bar]

50

Bursting pressure min. [bar]

150

Medium temperature [°C]

-25...80

Electrical data

Electrical design

AS-i

Operating voltage [V]

18...31.6 DC (AS-i)

Current consumption [mA]

< 25

Insulation resistance [MΩ]

> 100 (500 V DC)

Protection class

III

Reverse polarity protection

yes

Outputs

Overload protection

yes

Measuring / setting range

Measuring range [bar]

0...10

Accuracy / deviations

Accuracy / deviations

(in % of the span)

Characteristics deviation \*)

< ± 1.5

Hysteresis

< ± 0.1

Repeatability \*\*)

< ± 0.1

Long-term stability \*\*\*)

< ± 0.1

Temperature coefficients (TEMPCO) in the temperature range 0...70° C (in % of the span per 10 K)

Greatest TEMPCO of the zero point

0.2

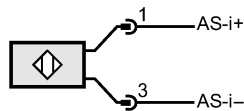
Greatest TEMPCO of the span

0.3

**PPA024 - Electronic pressure sensor - eclass: 27201302 / 27-20-13-02**

Reaction times		
Power-on delay time	[s]	0.3
Integrated watchdog		yes
Environment		
Ambient temperature	[°C]	-25...70
Storage temperature	[°C]	-40...100
Protection		IP 65
Tests / approvals		
EMC		EN 61000-4-2 ESD: 4 kV CD / 8 kV AD class B EN 61000-4-3 HF radiated: 10 V/m EN 61000-4-4 Burst: 1 kV class A / 2 kV class B EN 55011 (Emission): Level B
Shock resistance		DIN IEC 68-2-27: 50 g (11 ms)
Vibration resistance		DIN IEC 68-2-6: 20 g (10...2000 Hz)
MTTF	[Years]	293
Mechanical data		
Process connection		G ¼ I
Materials (wetted parts)		stainless steel (303S22); ceramics; FPM (Viton)
Housing materials		stainless steel (304S15); PA
Min. pressure cycles		100 million
Weight	[kg]	0.231
Displays / operating elements		
Display		green (operate); red (error)
Electrical connection		
Connection		M12 connector; gold-plated contacts

**Wiring**



Remarks		
Pack quantity	[piece]	1

ifm efector, inc. • 1100 Atwater Drive • Malvern • PA 19355 — We reserve the right to make technical alterations without prior notice. — US — PPA024 — 21.06.2007

no longer available - archive entry Alternative article: PP7554 + AC5225

No longer to be used for new applications.

When selecting an alternative article and accessories please note that technical data may differ!