

no longer available - archive entry Alternative article: PP7554 or PP0524

PP755x = DC pnp

PP052x = DC npn

When selecting an alternative article and accessories please note that technical data may differ!

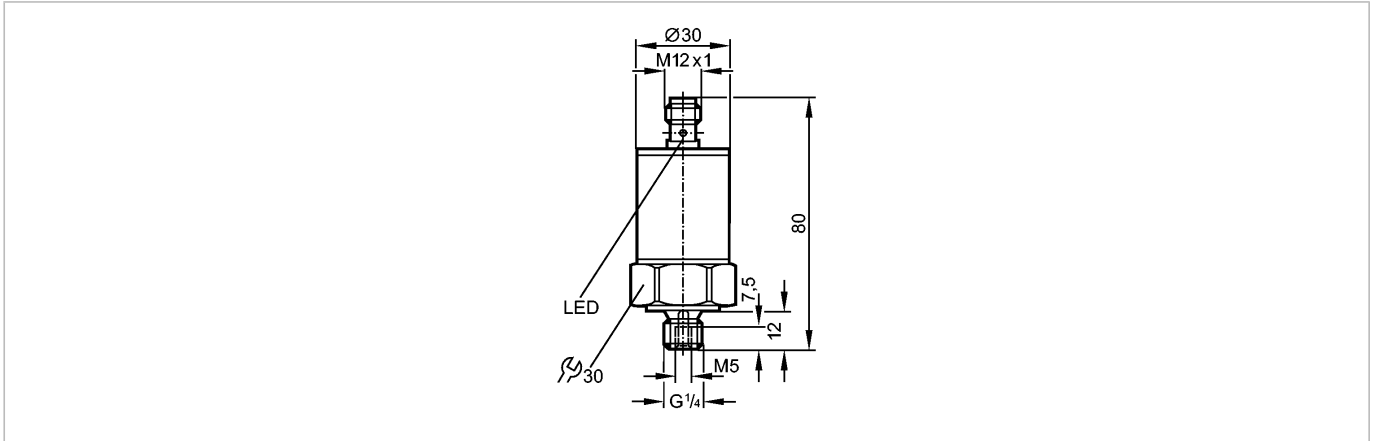
efectorsoo

PP7024



PP-010-RBG14-QFRKG/US/ IV

Pressure sensors



Product characteristics

Electronic pressure sensor

Quick disconnect

Programmable via EPS interface

Adjustment of the switch point by teach function

Process connection: G ¼ A / M5 I

2 switching outputs or
1 switching output
+ 1 teach input

Measuring range: 0...10 bar / 0...145 psi / 0...1000 kPa

Application

Application

Type of pressure: relative pressure
Liquids and gases

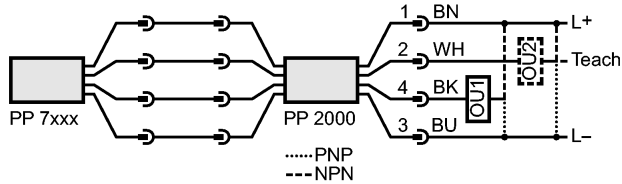
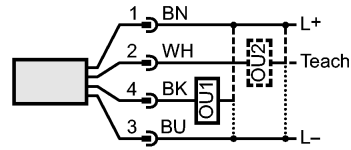
Pressure rating	50 bar	725 psi	5000 kPa
Bursting pressure min.	150 bar	2175 psi	15000 kPa
Medium temperature [°C]	-25...80		
Electrical data	DC PNP/NPN		
Operating voltage [V]	9.6...30 DC 1)		
Current consumption [mA]	< 45		
Insulation resistance [MΩ]	> 100 (500 V DC)		
Protection class	III		
Reverse polarity protection	yes		
Outputs	2 switching outputs or 1 switching output + 1 teach input		
Output function	2 x normally open / closed programmable		
Current rating [mA]	2 x 250		
Voltage drop [V]	< 2		
Short-circuit protection	yes (non-latching)		
Overload protection	yes		
Switching frequency [Hz]	≤ 170		
Measuring / setting range	0...10 bar 0...145 psi 0...1000 kPa		
Measuring range	0...10 bar	0...145 psi	0...1000 kPa

PP7024 - Electronic pressure sensor - eclass: 27201302 / 27-20-13-02

Setting range			
Set point, SP	0.10...9.99 bar	1...145 psi	10...999 kPa
Reset point, rP	0.05...9.94 bar	1...144 psi	5...994 kPa
in steps of	0.01 bar	1 psi	1 kPa
Accuracy / deviations			
Accuracy / deviations (in % of the span)			
Switch point accuracy	< ± 1.5		
Characteristics deviation *)	< ± 0.25 (BFSL) / < ± 0.5 (LS)		
Linearity	< ± 0.5		
Hysteresis	< ± 0.1		
Repeatability **)	< ± 0.1		
Long-term stability ***)	< ± 0.1		
Temperature coefficients (TEMPCO) in the temperature range -25...80° C (in % of the span per 10 K)			
Greatest TEMPCO of the zero point	< ± 0.2		
Greatest TEMPCO of the span	< ± 0.3		
Reaction times			
Power-on delay time [s]	0.3		
Min. response time switching output [ms]	3		
Damping for the switching output (dAP) [s]	0...4		
Software / programming			
Adjustment of the switch point	programming unit / teach function		
Environment			
Ambient temperature [°C]	-25...80		
Storage temperature [°C]	-40...100		
Protection	IP 67		
Tests / approvals			
EMC	EN 61000-4-2 ESD:	4 kV CD / 8 kV AD	
	EN 61000-4-3 HF radiated:	10 V/m	
	EN 61000-4-4 Burst:	2 kV	
	EN 61000-4-6 HF conducted:	10 V	
Shock resistance	DIN IEC 68-2-27:	50 g (11 ms)	
Vibration resistance	DIN IEC 68-2-6:	20 g (10...2000 Hz)	
Mechanical data			
Process connection	G ¼ A / M5 I		
Materials (wetted parts)	stainless steel (303S22); ceramics; FPM (Viton)		
Housing materials	stainless steel (304S15); PA		
Switching cycles min.	100 million		
Weight [kg]	0.196		
Displays / operating elements			
Display	Power	LED green	
	Switching status	2 x LED yellow	
Electrical connection			
Connection	M12 connector; gold-plated contacts		
Wiring			

PP7024 - Electronic pressure sensor - eclass: 27201302 / 27-20-13-02

Pin connection when delivered:
 Pin 2 = Teach input
 Pin 4 = switching output/
 communication with the
 programming unit (e.g. PP2000)



Remarks
 Remarks

- 1) Operating voltage for PP2000 with sensor: min. 18 V DC
- *) BFSL = Best Fit Straight Line / LS = Limit Value Setting
- ***) with temperature fluctuations < 10 K
- ***) in % of the span per year

Pack quantity [piece]

1

ifm efector, inc. • 1100 Atwater Drive • Malvern • PA 19355 — We reserve the right to make technical alterations without prior notice. — US — PP7024 — 21.11.2012

no longer available - archive entry Alternative article: PP7554 or PP0524

PP755x = DC pnp

PP052x = DC npn

When selecting an alternative article and accessories please note that technical data may differ!