

no longer available - archive entry replaced by: PP2001
(supports EPS and IO-Link communication)

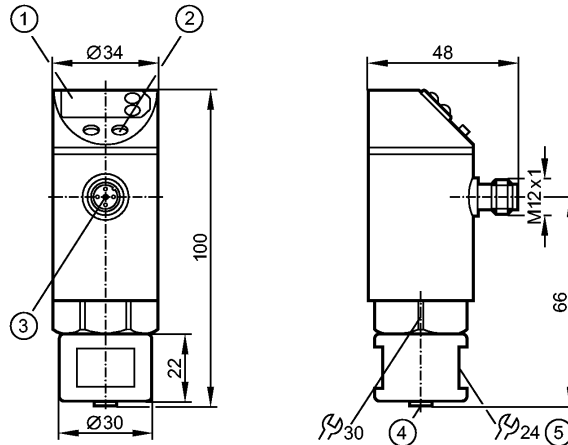
efectorsoo

PP2000



PP-PRG- /QFRKG/US/ /

Pressure sensors



- 1: 7-segment LED display
- 2: Programming button
- 3: connection for voltage supply and output signals
- 4: connection for EPS sensor
- 5: Mounting nut



Product characteristics
Programming and display unit for EPS sensors

Quick disconnect

For programming and reading of EPS sensors
(sensors with EPS programming interface)

2 transistor outputs

7-segment LED display

Electrical data

Electrical design

Operating voltage [V]

DC

10.8...30 DC

Current consumption [mA]

< 60

Insulation resistance [MΩ]

> 100 (500 V DC)

Protection class

III

Reverse polarity protection

yes

Outputs

Output

2 transistor outputs

Output function

Function identical to connected sensor

Current rating [mA]

250

Voltage drop [V]

< 2

Short-circuit protection

yes (non-latching)

Overload protection

yes

Reaction times

Power-on delay time [s]

1.5

Measuring / display cycle [ms]

200

Response time for the transmission of the sensor signal [ms]

OU1 < 50 / OU2 = 0

Software / programming

Programming options

depending on the sensor connected

Environment

Ambient temperature [°C]

-25...80

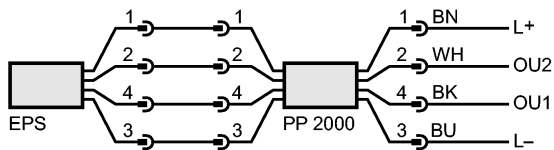
Storage temperature [°C]

-40...100

PP2000 - Programming and display unit for EPS sensors - eclass: 27201302 / 27-20-13-02

| | |
|-------------------------------|--|
| Protection | IP 67 |
| Tests / approvals | |
| EMC | EN 61000-4-2 ESD: 4 kV CD / 8 kV AD EN 61000-4-3 HF radiated: 10 V/m EN 61000-4-4 Burst: 2 kV EN 61000-4-6 HF conducted: 10 V |
| Shock resistance | DIN IEC 68-2-27: 50 g (11 ms) |
| Vibration resistance | DIN IEC 68-2-6: 20 g (10...2000 Hz) |
| MTTF [Years] | 188 |
| Mechanical data | |
| Housing materials | stainless steel 316L / 1.4404; EPDM/X (Santoprene); PC Copolymer; PBT (Pocan); FPM (Viton) |
| Switching cycles min. | |
| Weight [kg] | 0.378 |
| Displays / operating elements | |
| Display | Switching status LED red Function display 7-segment LED display Measured values 7-segment LED display |
| Electrical connection | |
| Connection | M12 connector; gold-plated contacts |

Wiring



| | |
|------------------------|--|
| Accessories | |
| Accessories (included) | Connection cable for sensor (0.8 m) for parameter setting in the offline mode; |
| Remarks | |
| Pack quantity [piece] | 1 |

ifm efector, inc. • 1100 Atwater Drive • Malvern • PA 19355 — We reserve the right to make technical alterations without prior notice. — US — PP2000 — 21.11.2012
 no longer available - archive entry replaced by: PP2001
 (supports EPS and IO-Link communication)