

customer-specific type label

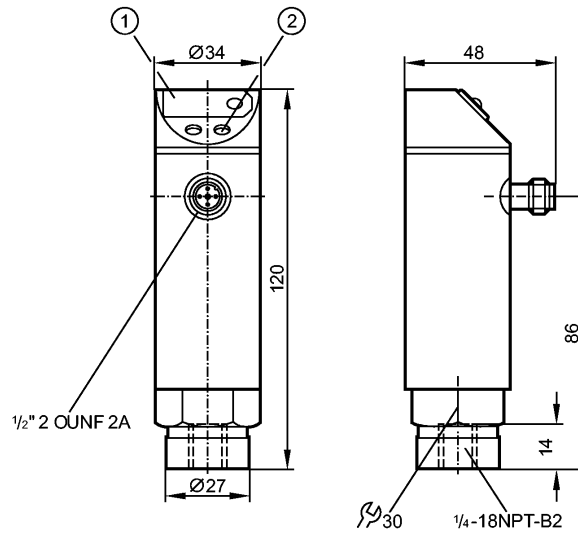
**efectorsoo**

PN8507



PN4224 PRE-PROGRAMMED

Pressure sensors



- 1: 7-segment LED display
- 2: Programming button



Product characteristics

Electronic pressure monitor

Quick disconnect

Function programmable

Process connection: 1/4" NPT

Switching output

7-segment LED display

Measuring range: 0...145 psi

Application

Application	Type of pressure: relative pressure Liquids and gases
Pressure rating [psi]	1087
Bursting pressure min. [psi]	2175
Medium temperature [°C]	-25...80
Electrical data	
Electrical design	AC / triac
Operating voltage [V]	85...265 AC
Nominal voltage [V]	90...250 AC (45...65 Hz)
Voltage tolerance [%]	-5 / +10
Current consumption [mA]	< 10
Insulation resistance [MΩ]	> 100 (500 V DC)
Protection class	II
Reverse polarity protection	no
Outputs	
Output	Switching output
Output function	normally open / closed programmable
Current rating [mA]	250; (...70 °C); 1000 (...60 °C); 1500 (...45 °C); 2500 (...20 °C)
Voltage drop [V]	< 2
Short-circuit proof	no
Overload protection	no
Switching frequency [Hz]	≤ 160

**PN8507 - Electronic pressure monitor - eclass: 27201302 / 27-20-13-02**

Measuring / setting range	
Measuring range [psi]	0...145
Setting range	
Set point, SP [psi]	70
Reset point, rP [psi]	55
Accuracy / deviations	
Deviations (% of value of measuring range)	
Switch point accuracy	< ± 1.0
Linearity	< ± 0.5
Hysteresis	< ± 0.1
Repeatability	< ± 0.1
Long-term stability	< ± 0.1
in the temperature range [°C]	-25...80
Reaction times	
Power-on delay time [s]	0.2
Delay time programmable dS, dr [s]	0, 0.2,...10, 11,...50
Damping for the switching output (dAP) [s]	0...4
Integrated watchdog	yes
Software / programming	
Programming options	hysteresis / window function; N.O. / N.C.; on delay, off delay; damping; calibration of displayed values; display can be rotated / deactivated; display unit
Adjustment of the switch point	Programming button
Environment	
Ambient temperature [°C]	-25...80
Storage temperature [°C]	-40...100
Protection	IP 65
Tests / approvals	
EMC	EN 61000-4-2 ESD: 4 kV CD / 8 kV AD EN 61000-4-3 HF radiated: 10 V/m EN 61000-4-4 Burst: 2 kV EN 61000-4-6 HF conducted: 10 V
Shock resistance	DIN IEC 68-2-27: 50 g (11 ms)
Vibration resistance	DIN IEC 68-2-6: 20 g (10...2000 Hz)
MTTF [Years]	243.77
Mechanical data	
Process connection	¼" NPT
Materials (wetted parts)	stainless steel (303S22); ceramics; FPM (Viton)
Housing materials	stainless steel (304S15); PC (Makrolon); PBT (Pocan); PA; FPM (Viton)
Switching cycles min.	100 million
Weight [kg]	0.364
Displays / operating elements	
Display	Switching status LED red Function display 7-segment LED display Measured values 7-segment LED display
Electrical connection	
Connection	1/2" UNF-Connector

**Wiring**

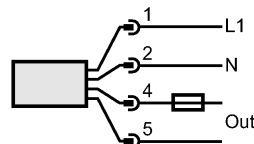
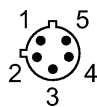
Programming of the output function:

Hno = hysteresis / N.O.

Hnc = hysteresis / N.C.

Fno = window function / N.O.

Fnc = window function / N.C.



Note: miniature fuse to IEC60127-2 sheet 1, ≤ 5 A (fast acting)

**PN8507 - Electronic pressure monitor - eclass: 27201302 / 27-20-13-02**

Remarks

Remarks

n.c. = not connected

\*\* ) with temperature fluctuations < 10 K

\*\*\* ) in % of the span per year

Recommendation: check the unit for reliable function after a short circuit.

Pack quantity

[piece]

1

ifm efector, inc. • 1100 Atwater Drive • Malvern • PA 19355 — We reserve the right to make technical alterations without prior notice. — US — PN8507 — 21.08.2013  
customer-specific type lable