

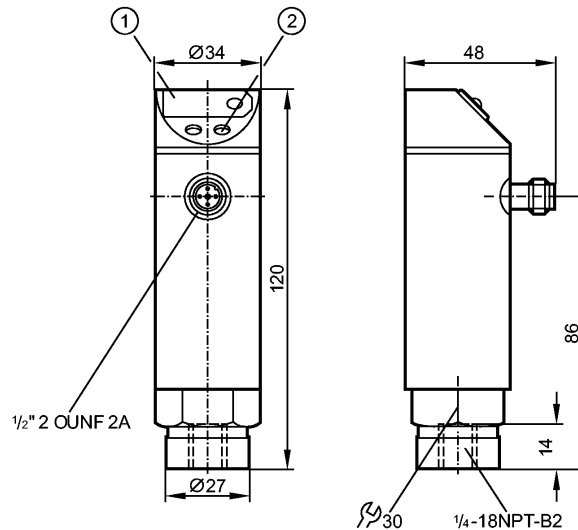
no longer available - archive entry

**efectorsoo**

PN8501



Pressure sensors



- 1: 7-segment LED display
- 2: Programming button

Product characteristics

Electronic pressure monitor

Quick disconnect

Function programmable

Process connection: 1/4" NPT

Switching output

7-segment LED display

Measuring range: 0...145 psi

Application

Application	
Pressure rating	[psi]
Bursting pressure min.	[psi]
Medium temperature	[°C]
Electrical data	
Electrical design	
Operating voltage	[V]
Nominal voltage	[V]
Voltage tolerance	[%]
Current consumption	[mA]
Insulation resistance	[MΩ]
Protection class	
Reverse polarity protection	
Outputs	
Output	
Output function	
Current rating	[mA]
Voltage drop	[V]
Short-circuit proof	
Overload protection	
Switching frequency	[Hz]
Measuring / setting range	
Measuring range	[psi]
Setting range	

Type of pressure: relative pressure  
Liquids and gases

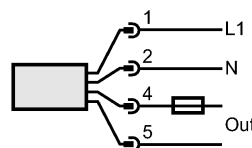
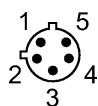
	725
	2175
	-25...80
	AC / triac
	85...265 AC
	90...250 AC (45...65 Hz)
	-5 / +10
	< 10
	> 100 (500 V DC)
	II
	no
	Switching output
	normally open / closed programmable
	250; (...70 °C); 1000 (...60 °C); 1500 (...45 °C); 2500 (...20 °C)
	< 2
	no
	no
	≤ 160
	0...145

# PN8501 - Electronic pressure monitor - eclass: 27201302 / 27-20-13-02

Set point, SP	[psi]	1...145
Reset point, rP	[psi]	1...144
in steps of	[psi]	1
Accuracy / deviations		
Deviations (% of value of measuring range)		
Switch point accuracy		< ± 1.0
Linearity		< ± 0.5
Hysteresis		< ± 0.1
Repeatability		< ± 0.1
Long-term stability		< ± 0.1
in the temperature range	[°C]	-25...80
Reaction times		
Power-on delay time	[s]	0.2
Delay time programmable dS, dr	[s]	0, 0.2,...10, 11,...50
Damping for the switching output (dAP)	[s]	0...4
Integrated watchdog		yes
Software / programming		
Programming options		hysteresis / window function; N.O. / N.C.; on delay, off delay; damping; calibration of displayed values; display can be rotated / deactivated; display unit
Adjustment of the switch point		Programming button
Environment		
Ambient temperature	[°C]	-25...80
Storage temperature	[°C]	-40...100
Protection		IP 65
Tests / approvals		
EMC		EN 61000-4-2 ESD: 4 kV CD / 8 kV AD EN 61000-4-3 HF radiated: 10 V/m EN 61000-4-4 Burst: 2 kV EN 61000-4-6 HF conducted: 10 V
Shock resistance		DIN IEC 68-2-27: 50 g (11 ms)
Vibration resistance		DIN IEC 68-2-6: 20 g (10...2000 Hz)
Mechanical data		
Process connection		¼" NPT
Materials (wetted parts)		stainless steel (303S22); ceramics; FPM (Viton)
Housing materials		stainless steel (304S15); PC (Makrolon); PBT (Pocan); PA; FPM (Viton); EPDM/X (Santoprene)
Switching cycles min.		100 million
Displays / operating elements		
Display		Switching status LED red Function display 7-segment LED display Measured values 7-segment LED display
Electrical connection		
Connection		1/2" UNF-Connector

## Wiring

Programming of the output function:  
Hno = hysteresis / N.O.  
Hnc = hysteresis / N.C.  
Fno = window function / N.O.  
Fnc = window function / N.C.



Note: miniature fuse to IEC60127-2 sheet 1, ≤ 5 A (fast acting)

Remarks

Remarks

n.c. = not connected  
\*\*) with temperature fluctuations < 10 K  
\*\*\*) in % of the span per year

# PN8501 - Electronic pressure monitor - eclass: 27201302 / 27-20-13-02

Recommendation: check the unit for reliable function after a short circuit.

Pack quantity [piece]

1

ifm efector, inc. • 1100 Atwater Drive • Malvern • PA 19355 — We reserve the right to make technical alterations without prior notice. — US — PN8501 — 21.11.2012  
no longer available - archive entry