

no longer available - archive entry

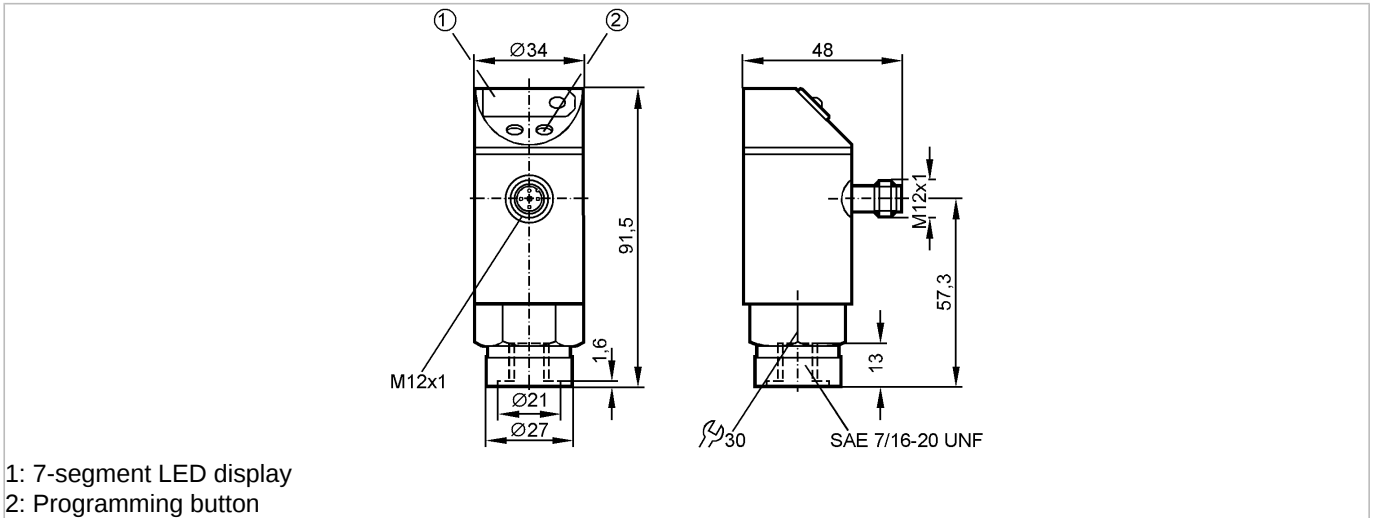
efectorsoo

PN7320



PN-600PSBU76-QFPKG/US/ IV

Pressure sensors



1: 7-segment LED display
2: Programming button



Product characteristics

Electronic pressure monitor

Quick disconnect

Function programmable

Process connection: 7/16-20 UNF (SAE)

2 switching outputs

7-segment LED display

Measuring range: 0...6000 psi

Application

Application

Type of pressure: relative pressure

Liquids and gases

For gaseous media the application is limited to max. 25 bar (363 psi)

Pressure rating [psi]

8500

Bursting pressure min. [psi]

14000

Medium temperature [°C]

-25...80

Electrical data

Electrical design

DC PNP

Operating voltage [V]

18...30 DC

Current consumption [mA]

< 60

Insulation resistance [MΩ]

> 100 (500 V DC)

Protection class

III

Reverse polarity protection

yes

Outputs

2 switching outputs

Output

2 x normally open / closed programmable

Output function

Current rating [mA]

250

Voltage drop [V]

< 2

Short-circuit protection

yes (non-latching)

Overload protection

yes

Switching frequency for a given set response time of one output *)

Response time (dAP)

[ms] 3 6 10 17 30 60 125 250 500

Switching frequency

[Hz] 170 80 50 30 16 8 4 2 1

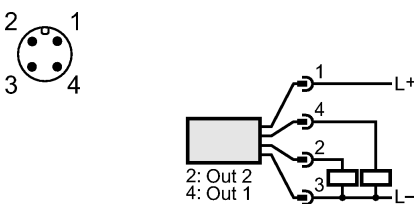
Measuring / setting range

Measuring range [psi]

0...6000

Setting range

PN7320 - Electronic pressure monitor - eclass: 27201302 / 27-20-13-02

Set point, SP	[psi]	60...6000
Reset point, rP	[psi]	30...5970
in steps of	[psi]	30
Accuracy / deviations		
Deviations (% of value of measuring range)		
Switch point accuracy		< ± 1.0
Characteristics deviation		< ± 0.25 (BFSL) / < ± 0.5 (LS)
Repeatability		< ± 0.25
Temperature drift (/ 10 K)		< ± 0.3
in the temperature range	[°C]	-25...80
Reaction times		
Power-on delay time	[s]	0.2
Delay time programmable dS, dr	[s]	0, 0.2,...10, 11,...50
Integrated watchdog		yes
Software / programming		
Programming options		hysteresis / window function; N.O. / N.C.; on delay, off delay; damping
Adjustment of the switch point		Programming button
Environment		
Ambient temperature	[°C]	-25...80
Storage temperature	[°C]	-40...100
Protection		IP 67
Tests / approvals		
EMC		EN 61000-4-2 ESD: 4 kV CD / 8 kV AD EN 61000-4-3 HF radiated: 10 V/m EN 61000-4-4 Burst: 2 kV EN 61000-4-6 HF conducted: 10 V
Shock resistance		DIN IEC 68-2-27: 50 g (11 ms)
Vibration resistance		DIN IEC 68-2-6: 20 g (10...2000 Hz)
Mechanical data		
Process connection		7/16-20 UNF (SAE)
Materials (wetted parts)		stainless steel (303S22); ceramics; FPM (Viton)
Housing materials		EPDM/X (Santoprene); FPM (Viton); PA; PBT (Pocan); PC (Makrolon); stainless steel (304S15)
Switching cycles min.		100 million
Weight	[kg]	0.279
Displays / operating elements		
Display		Switching status 2 x LED red Function display 7-segment LED display Measured values 7-segment LED display
Electrical connection		
Connection		M12 connector; gold-plated contacts
Wiring		
<p>Programming of the output function: Hno = hysteresis / normally open Hnc = hysteresis / normally closed Fno = window function / normally open Fnc = window function / normally closed</p>		
		
Complementary outputs: output 1: = Hno, output 2: = Hnc (with the same SP / rP)		
Remarks		
Remarks		1) to EN50178, SELV, PELV *) BFSL = Best Fit Straight Line / LS = Limit Value Setting **) with temperature fluctuations < 10 K ***) in% of the span / 6 months
Pack quantity	[piece]	1