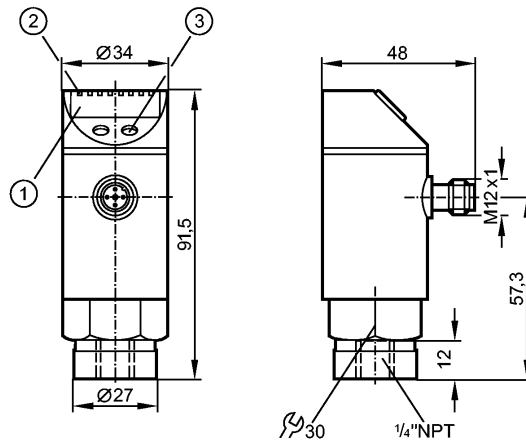


PN5206

PN-2.5-RBN14-HFPKG/US/ IV

Pressure sensors

New generation available: PN7296



- 1: 4-digit alphanumeric display
- 2: LEDs (display unit / switching status)
- 3: Programming button



Product characteristics

Electronic pressure monitor
Quick disconnect
Function programmable
Process connection: 1/4" NPT
1 switching output
4-digit alphanumeric display
Measuring range: 0...36.3 psi / 0...2.5 bar / 0...250 kPa

Application

Application	Type of pressure: relative pressure Liquids and gases		
Pressure rating	290 psi	20 bar	2000 kPa
Bursting pressure min.	725 psi	50 bar	5000 kPa
Medium temperature [°C]	-25...80		

Electrical data

Electrical design	DC PNP
Operating voltage [V]	18...36 DC 1)
Current consumption [mA]	< 50
Insulation resistance [MΩ]	> 100 (500 V DC)
Protection class	III
Reverse polarity protection	yes
Oversvoltage protection [V]	up to 40 V

Outputs

Output	1 switching output
Output function	normally open / closed programmable
Current rating [mA]	250
Voltage drop [V]	< 2
Short-circuit protection	yes (non-latching)
Switching frequency [Hz]	≤ 170

PN5206

PN-2.5-RBN14-HFPKG/US/ /V

Pressure sensors

Measuring / setting range			
Measuring range	0...36.3 psi	0...2.5 bar	0...250 kPa
Setting range			
Set point, SP	0.4...36.2 psi	0.02...2.50 bar	2...250 kPa
Reset point, rP	0.2...36.0 psi	0.01...2.49 bar	1...249 kPa
in steps of	0.2 psi	0.01 bar	1 kPa
Factory setting	SP1 = 9.0 psi; rP1 = 8.4 psi		
Accuracy / deviations			
Accuracy / deviations (in % of the span)			
Switch point accuracy	< ± 0.5		
Characteristics deviation *)	< ± 0.25 (BFSL) / < ± 0.5 (LS)		
Hysteresis	< ± 0.25		
Repeatability **)	< ± 0.1		
Long-term stability ***)	< ± 0.05		
Temperature coefficients (TEMPCO) in the temperature range -20...80° C (in % of the span per 10 K)			
Greatest TEMPCO of the zero point	0.2		
Greatest TEMPCO of the span	0.2		
Reaction times			
Power-on delay time [s]	0.3		
Delay time programmable dS, dr [s]	0; 0.2...50		
Integrated watchdog	yes		
Software / programming			
Programming options	hysteresis / window function; N.O. / N.C; on delay, off delay; damping; display unit		
Environment			
Ambient temperature [°C]	-20...80 (UB < 32 V) / -20...60 (UB > 32 V)		
Storage temperature [°C]	-40...100		
Protection	IP 65		
Tests / approvals			
EMC	EN 61000-4-2 ESD:	4 kV CD / 8 kV AD	
	EN 61000-4-3 HF radiated:	10 V/m	
	EN 61000-4-4 Burst:	2 kV	
	EN 61000-4-5 Surge:	0.5/1 kV	
	EN 61000-4-6 HF conducted:	10 V	
Shock resistance	DIN IEC 68-2-27:	50 g (11 ms)	
Vibration resistance	DIN IEC 68-2-6:	20 g (10...2000 Hz)	
MTTF [Years]	231		
Mechanical data			
Process connection	¼" NPT		
Materials (wetted parts)	stainless steel (303S22); ceramics; FPM (Viton)		
Housing materials	stainless steel (304S15); stainless steel 316L / 1.4404; PC (Makrolon); PBT (Pocan); PEI; FPM (Viton); PTFE		
Switching cycles min.	100 million		
Weight [kg]	0.264		
Displays / operating elements			
Display	Display unit	3 x LED green	
	Switching status	LED yellow	

PN5206

PN-2.5-RBN14-HFPKG/US/ IV

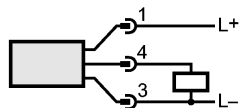
Pressure sensors

Function display 4-digit alphanumeric display
 Measured values 4-digit alphanumeric display

Electrical connection

Connection M12 connector; gold-plated contacts

Wiring



Remarks

Remarks

- 1) to EN50178, SELV, PELV
- *) BFSL = Best Fit Straight Line / LS = Limit Value Setting
- ***) with temperature fluctuations < 10 K
- ***) in % of value of measuring range / 6 months

Pack quantity [piece] 1

New generation available: PN7296