

no longer available - archive entry

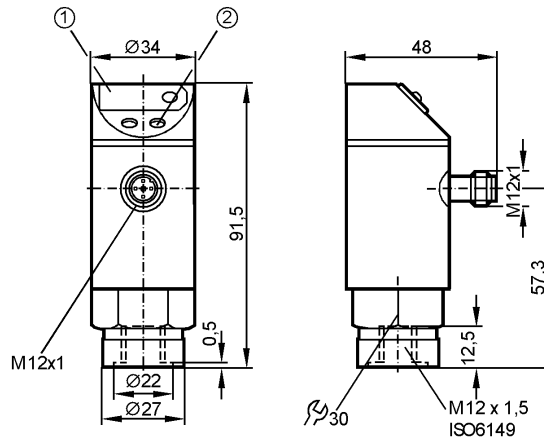
**efectorsoo**

PN5121



PN-250-SBM12-HFPKG/US/ V

Pressure sensors



1: 7-segment LED display  
2: Programming button



Product characteristics

Electronic pressure monitor

M12 x 1.5

Quick disconnect

Function programmable

Switching output

7-segment LED display

Measuring range: 0...250 bar

Application

Application

Type of pressure: relative pressure  
Liquids and gases  
For gaseous media the application is limited to max. 25 bar

Pressure rating	[bar]
Bursting pressure min.	[bar]
Medium temperature	[°C]

400
850
-25...80

Electrical data

Electrical design

Operating voltage	[V]
Current consumption	[mA]
Insulation resistance	[MΩ]

DC PNP
18...30 DC
< 60
> 100 (500 V DC)

Protection class

Reverse polarity protection

III
yes

Outputs

Output

Output function	
Current rating	[mA]
Voltage drop	[V]

Switching output
normally open / closed programmable
250
< 2

Short-circuit protection

Overload protection

Switching frequency for a given set response time of one output \*)

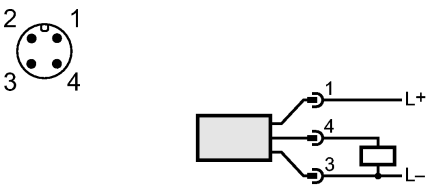
Response time (dAP)									
[ms]	3	6	10	17	30	60	125	250	500
Switching frequency									
[Hz]	170	80	50	30	16	8	4	2	1

Measuring / setting range

Measuring range [bar]

0...250
---------

**PN5121 - Electronic pressure monitor - eclass: 27201302 / 27-20-13-02**

Setting range	
Set point, SP [bar]	2...250
Reset point, rP [bar]	1...248
in steps of [bar]	1
Accuracy / deviations	
Deviations (% of value of measuring range)	
Switch point accuracy	< ± 1.0
Repeatability	< ± 0.25
Temperature drift ( / 10 K)	< ± 0.3
in the temperature range [°C]	-25...80
Reaction times	
Power-on delay time [s]	0.2
Delay time programmable dS, dr [s]	0, 0.2,...10, 11,...50
Integrated watchdog	yes
Software / programming	
Programming options	hysteresis / window function; N.O. / N.C.; on delay, off delay; damping
Adjustment of the switch point	Programming button
Environment	
Ambient temperature [°C]	-25...80
Storage temperature [°C]	-40...100
Protection	IP 67
Tests / approvals	
EMC	EN 61000-4-2 ESD: 4 kV CD / 8 kV AD EN 61000-4-3 HF radiated: 10 V/m EN 61000-4-4 Burst: 2 kV EN 61000-4-6 HF conducted: 10 V
Shock resistance	DIN IEC 68-2-27: 50 g (11 ms)
Vibration resistance	DIN IEC 68-2-6: 20 g (10...2000 Hz)
Mechanical data	
Materials (wetted parts)	stainless steel (303S22); ceramics; FPM (Viton)
Housing materials	EPDM/X (Santoprene); FPM (Viton); PA; PBT (Pocan); PC (Makrolon); stainless steel (304S15)
3W3HNC	100 million
Weight [kg]	0.293
Displays / operating elements	
Display	Switching status LED red Function display 7-segment LED display Measured values 7-segment LED display
Electrical connection	
Connection	M12 connector; gold-plated contacts
<b>Wiring</b>	
Programming of the output function: Hno = hysteresis / N.O. Hnc = hysteresis / N.C. Fno = window function / N.O. Fnc = window function / N.C.	
Remarks	
Remarks	*) at rectangular pressure characteristic and setting: switch-on point (SPx) = 70 %, switch-off point (rPx) = 30 %
Pack quantity [piece]	1