

New generation available: PN7096

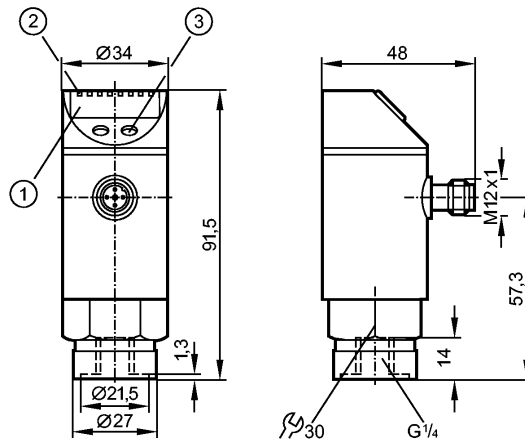
**efectorsoo**

PN5006



PN-2.5-RBR14-HFPKG/US/ IV

Pressure sensors



- 1: 4-digit alphanumeric display
- 2: LEDs (display unit / switching status)
- 3: Programming button



Product characteristics

Electronic pressure monitor

Quick disconnect

Function programmable

Process connection: G ¼ I

1 switching output

4-digit alphanumeric display

Measuring range: 0...2.5 bar / 0...36.3 psi / 0...250 kPa

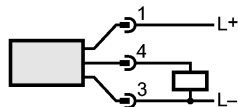
Application

Application	Type of pressure: relative pressure Liquids and gases		
Pressure rating	20 bar	290 psi	2000 kPa
Bursting pressure min.	50 bar	725 psi	5000 kPa
Medium temperature [°C]	-25...80		
Electrical data	DC PNP		
Electrical design	DC PNP		
Operating voltage [V]	18...36 DC 1)		
Current consumption [mA]	< 50		
Insulation resistance [MΩ]	> 100 (500 V DC)		
Protection class	III		
Reverse polarity protection	yes		
Overvoltage protection [V]	up to 40 V		
Outputs	1 switching output		
Output	normally open / closed programmable		
Output function	normally open / closed programmable		
Current rating [mA]	250		
Voltage drop [V]	< 2		
Short-circuit protection	yes (non-latching)		
Switching frequency [Hz]	≤ 170		
Measuring / setting range			
Measuring range	0...2.5 bar	0...36.3 psi	0...250 kPa
Setting range			
Set point, SP	0.02...2.50 bar	0.4...36.2 psi	2...250 kPa

**PN5006 - Electronic pressure monitor - eclass: 27201302 / 27-20-13-02**

Reset point, rP	0.01...2.49 bar	0.2...36.0 psi	1...249 kPa
in steps of	0.01 bar	0.2 psi	1 kPa
Factory setting	SP1 = 0.63 bar; rP1 = 0.58 bar		
Accuracy / deviations			
Accuracy / deviations (in % of the span)			
Switch point accuracy	< ± 0.5		
Characteristics deviation *)	< ± 0.25 (BFSL) / < ± 0.5 (LS)		
Hysteresis	< ± 0.25		
Repeatability **)	< ± 0.1		
Long-term stability ***)	< ± 0.05		
Temperature coefficients (TEMPCO) in the temperature range -20...80° C (in % of the span per 10 K)			
Greatest TEMPCO of the zero point	0.2		
Greatest TEMPCO of the span	0.2		
Reaction times			
Power-on delay time [s]	0.3		
Delay time programmable dS, dr [s]	0; 0.2...50		
Integrated watchdog	yes		
Software / programming			
Programming options	hysteresis / window function; N.O. / N.C; on delay, off delay; damping; display unit		
Environment			
Ambient temperature [°C]	-20...80 (UB < 32 V) / -20...60 (UB > 32 V)		
Storage temperature [°C]	-40...100		
Protection	IP 65		
Tests / approvals			
EMC	EN 61000-4-2 ESD: 4 kV CD / 8 kV AD EN 61000-4-3 HF radiated: 10 V/m EN 61000-4-4 Burst: 2 kV EN 61000-4-5 Surge: 0.5/1 kV EN 61000-4-6 HF conducted: 10 V		
Shock resistance	DIN IEC 68-2-27: 50 g (11 ms)		
Vibration resistance	DIN IEC 68-2-6: 20 g (10...2000 Hz)		
MTTF [Years]	231		
Mechanical data			
Process connection	G ¼ I		
Materials (wetted parts)	stainless steel (303S22); ceramics; FPM (Viton)		
Housing materials	stainless steel (304S15); stainless steel 316L / 1.4404; PC (Makrolon); PBT (Pocan); PEI; FPM (Viton); PTFE		
Switching cycles min.	100 million		
Weight [kg]	0.259		
Displays / operating elements			
Display	Display unit 3 x LED green Switching status LED yellow Function display 4-digit alphanumeric display Measured values 4-digit alphanumeric display		
Electrical connection			
Connection	M12 connector; gold-plated contacts		

**Wiring**



Remarks  
Remarks

<sup>1)</sup> to EN50178, SELV, PELV

**PN5006 - Electronic pressure monitor - eclass: 27201302 / 27-20-13-02**

\*) BFSL = Best Fit Straight Line / LS = Limit Value Setting  
\*\*) with temperature fluctuations < 10 K  
\*\*\*) in % of value of measuring range / 6 months

Pack quantity [piece]

1

ifm efector, inc. • 1100 Atwater Drive • Malvern • PA 19355 — We reserve the right to make technical alterations without prior notice. — US — PN5006 — 06.09.2010

New generation available: PN7096