

New generation available: PN2293

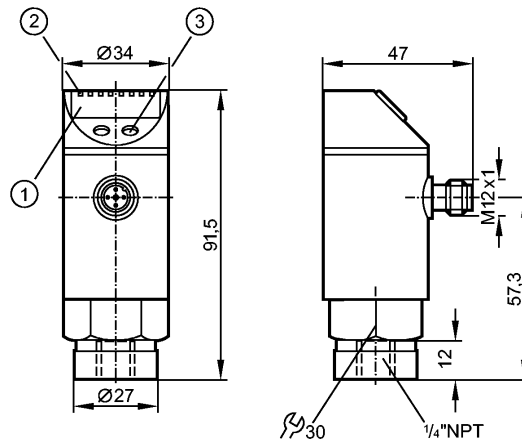
efectorsoo

PN2223



PN-025-RBN14-MFRKG/US/ IV

Pressure sensors



- 1: 4-digit alphanumeric display
- 2: LEDs (display unit / switching status)
- 3: Programming button



Product characteristics

Combined pressure sensor

Quick disconnect

Zero and span adjustable

Function programmable

Process connection: 1/4" NPT

2 outputs

OUT1 = switching output

OUT2 = switching output or analog output

4-digit alphanumeric display

Measuring range: -14.5...362.5 psi / -1...25 bar / -0.1...2.5 MPa

Application

Application

Type of pressure: relative pressure
Liquids and gases

Pressure rating	1450 psi	100 bar	10 MPa
Bursting pressure min.	5075 psi	350 bar	35 MPa
Medium temperature [°C]	-25...80		
Electrical data	DC PNP/NPN		
Electrical design	DC PNP/NPN		
Operating voltage [V]	18...32 DC 1)		
Current consumption [mA]	< 35		
Insulation resistance [MΩ]	> 100 (500 V DC)		
Protection class	III		
Reverse polarity protection	yes		
Outputs	2 outputs		
Output	OUT1 = switching output OUT2 = switching output or analog output		
Output function	2 x normally open / closed programmable or 1 x normally open / closed programmable + 1 x analog (4...20 mA / 0...10 V; programmable 1:4)		
Current rating [mA]	2 x 250		
Voltage drop [V]	< 2		
Short-circuit protection	yes (non-latching)		
Overload protection	yes		

PN2223 - Combined pressure sensor - eclass: 27201302 / 27-20-13-02

Switching frequency [Hz]	≤ 500		
Analog output	4...20 mA / 0...10 V		
Max. load [Ω]	4...20 mA: max. (U _b - 10 V) x 50 / 0...10 V: min. 2000		
Measuring / setting range			
Measuring range	-14.5...362.5 psi	-1...25 bar	-0.1...2.5 MPa
Setting range			
Set point, SP	-11.5...362.5 psi	-0.80...25.00 bar	-0.08...2.50 MPa
Reset point, rP	-13.0...361.0 psi	-0.90...24.90 bar	-0.09...2.49 MPa
Analog start point, ASP	-14.5...272.0 psi	-1.00...18.75 bar	-0.10...1.88 MPa
Analog end point, AEP	76.0...362.5 psi	5.25...25.00 bar	0.53...2.50 MPa
in steps of	0.5 psi	0.05 bar	0.01 MPa
Factory setting	SP1 = 90.5 psi; rP1 = 83.5 psi SP2 = 272.0 psi; rP2 = 264.5 psi ASP = 0.0 psi; AEP = 362.5 psi		
Accuracy / deviations			
Accuracy / deviations (in % of the span) Turn down 1:1			
Switch point accuracy	< ± 0.4		
Characteristics deviation *)	< ± 0.25 (BFSL) / < ± 0.5 (LS)		
Hysteresis	< ± 0.1		
Repeatability **)	< ± 0.1		
Long-term stability ***)	< ± 0.1		
Temperature coefficients (TEMPCO) in the temperature range 0...80° C (in % of the span per 10 K)			
Greatest TEMPCO of the zero point	< ± 0.2		
Greatest TEMPCO of the span	< ± 0.2		
Reaction times			
Power-on delay time [s]	0.3		
Min. response time switching output [ms]	1.5		
Damping for the switching output (dAP) [s]	0; 0.01...4.00		
Damping for the analog output (dAA) [s]	0; 0.01...4.00		
Response time analog output [ms]	3		
Integrated watchdog	yes		
Software / programming			
Programming options	hysteresis / window function; N.O. / N.C; output polarity; current / voltage outputs; damping; calibration of displayed values; display can be rotated / deactivated; display unit		
Interfaces			
IO-Link Device			
Transfer type	COM2 (38.4 kBaud)		
IO-Link revision	1.0		
Environment			
Ambient temperature [°C]	-25...80		
Storage temperature [°C]	-40...100		
Protection	IP 65		
Tests / approvals			
EMC	EN 61000-4-2 ESD: 4 kV CD / 8 kV AD EN 61000-4-3 HF radiated: 10 V/m EN 61000-4-4 Burst: 2 kV EN 61000-4-5 Surge: 0.5/1 kV EN 61000-4-6 HF conducted: 10 V		
Shock resistance	DIN IEC 68-2-27: 50 g (11 ms)		
Vibration resistance	DIN IEC 68-2-6: 20 g (10...2000 Hz)		
MTTF [Years]	131		
Mechanical data			
Process connection	¼" NPT		
Materials (wetted parts)	stainless steel (303S22); ceramics; FPM (Viton)		

PN2223 - Combined pressure sensor - eclass: 27201302 / 27-20-13-02

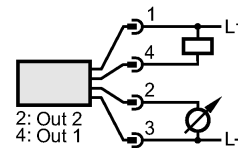
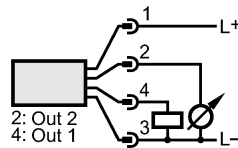
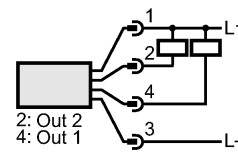
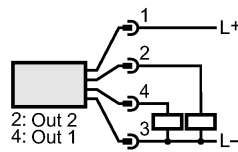
Housing materials	stainless steel (304S15); stainless steel 316L / 1.4404; PC (Makrolon); PBT (Pocan); PEI; FPM (Viton); PTFE
Switching cycles min.	100 million
Weight [kg]	0.268
Displays / operating elements	
Display	Display unit 3 x LED green Switching status 2 x LED yellow Function display 4-digit alphanumeric display Measured values 4-digit alphanumeric display

Electrical connection	
Connection	M12 connector; gold-plated contacts

Wiring

Programming of the output function (OUT1 / OUT2):

- Hno = hysteresis / normally open
- Hnc = hysteresis / normally closed
- Fno = window function / normally open
- Fnc = window function / normally closed
- Complementary outputs:
output 1: = Hno, output 2: = Hnc
(with the same SP / rP)



Programming of the analog output (OUT2):

- I = current output (4...20 mA)
- U = voltage output (0...10 V)



Remarks

Remarks

- 1) to EN50178, SELV, PELV
- *) BFSL = Best Fit Straight Line / LS = Limit Value Setting
- ***) with temperature fluctuations < 10 K
- *** in % of the span per year

Pack quantity [piece]	1
-----------------------	---