

New generation available: PN2092

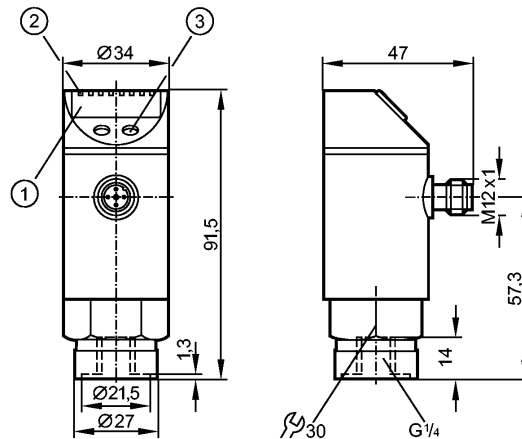
efectorsoo

PN2022



PN-100-SBR14-MFRKG/US/ IV

Pressure sensors



- 1: 4-digit alphanumeric display
- 2: LEDs (display unit / switching status)
- 3: Programming button



Product characteristics

Combined pressure sensor

Quick disconnect

Zero and span adjustable

Function programmable

Process connection: G 1/4 I

2 outputs

OUT1 = switching output

OUT2 = switching output or analog output

4-digit alphanumeric display

Measuring range: 0...100 bar / 0...1450 psi / 0...10 MPa

Application

Application

Type of pressure: relative pressure

Liquids and gases

Use in gases at pressures > 25 bar only after contacting the manufacturer ifm

Pressure rating	300 bar	4350 psi	30 MPa
Bursting pressure min.	650 bar	9400 psi	65 MPa
Medium temperature [°C]	-25...80		
Electrical data	DC PNP/NPN		
Operating voltage [V]	18...32 DC ¹⁾		
Current consumption [mA]	< 35		
Insulation resistance [MΩ]	> 100 (500 V DC)		
Protection class	III		
Reverse polarity protection	yes		
Outputs	2 outputs		
Output	OUT1 = switching output OUT2 = switching output or analog output		
Output function	2 x normally open / closed programmable or 1 x normally open / closed programmable + 1 x analog (4...20 mA / 0...10 V; programmable 1:4)		
Current rating [mA]	2 x 250		
Voltage drop [V]	< 2		
Short-circuit protection	yes (non-latching)		

PN2022 - Combined pressure sensor - eclass: 27201302 / 27-20-13-02

Overload protection	yes		
Switching frequency [Hz]	≤ 500		
Analog output	4...20 mA / 0...10 V		
Max. load [Ω]	4...20 mA: max. (U _b - 10 V) x 50 / 0...10 V; min. 2000		
Measuring / setting range			
Measuring range	0...100 bar	0...1450 psi	0...10 MPa
Setting range			
Set point, SP	0.8...100.0 bar	12...1450 psi	0.08...10.00 MPa
Reset point, rP	0.4...99.6 bar	6...1444 psi	0.04...9.96 MPa
Analog start point, ASP	0.0...75.0 bar	0...1088 psi	0.00...7.50 MPa
Analog end point, AEP	25.0...100.0 bar	364...1450 psi	2.50...10.00 MPa
in steps of	0.2 bar	2 psi	0.02 MPa
Factory setting	SP1 = 25.0 bar; rP1 = 23.0 bar SP2 = 75.0 bar; rP2 = 73.0 bar ASP = 0.0 bar; AEP = 100.0 bar		
Accuracy / deviations			
Accuracy / deviations (in % of the span) Turn down 1:1			
Switch point accuracy	< ± 0.4		
Characteristics deviation *)	< ± 0.25 (BFSL) / < ± 0.5 (LS)		
Hysteresis	< ± 0.1		
Repeatability **)	< ± 0.1		
Long-term stability ***)	< ± 0.1		
Temperature coefficients (TEMPCO) in the temperature range 0...80° C (in % of the span per 10 K)			
Greatest TEMPCO of the zero point	< ± 0.2		
Greatest TEMPCO of the span	< ± 0.2		
Reaction times			
Power-on delay time [s]	0.3		
Min. response time switching output [ms]	1.5		
Damping for the switching output (dAP) [s]	0; 0.01...4.00		
Damping for the analog output (dAA) [s]	0; 0.01...4.00		
Response time analog output [ms]	3		
Integrated watchdog	yes		
Software / programming			
Programming options	hysteresis / window function; N.O. / N.C; output polarity; current / voltage outputs; damping; calibration of displayed values; display can be rotated / deactivated; display unit		
Interfaces			
IO-Link Device			
Transfer type	COM2 (38.4 kBaud)		
IO-Link revision	1.0		
IO-Link Device ID	58 d / 00 00 3A h		
Profiles	no profile		
SIO mode	yes		
Required master port class	A		
Process data analogue	1		
Process data binary	2		
Min. process cycle time [ms]	2.3		
Environment			
Ambient temperature [°C]	-25...80		
Storage temperature [°C]	-40...100		
Protection	IP 67		
Tests / approvals			
EMC	EN 61000-4-2 ESD:	4 kV CD / 8 kV AD	
	EN 61000-4-3 HF radiated:	10 V/m	

PN2022 - Combined pressure sensor - eclass: 27201302 / 27-20-13-02

	EN 61000-4-4 Burst:	2 kV
	EN 61000-4-5 Surge:	0.5/1 kV
	EN 61000-4-6 HF conducted:	10 V
Shock resistance	DIN IEC 68-2-27:	50 g (11 ms)
Vibration resistance	DIN IEC 68-2-6:	20 g (10...2000 Hz)
MTTF [Years]		131
Mechanical data		
Process connection		G ¼ I
Materials (wetted parts)		stainless steel (303S22); ceramics; FPM (Viton)
Housing materials		stainless steel (304S15); stainless steel 316L / 1.4404; PC (Makrolon); PBT (Pocan); PEI; FPM (Viton)
Switching cycles min.		100 million
Weight [kg]		0.263
Displays / operating elements		
Display	Display unit	3 x LED green
	Switching status	2 x LED yellow
	Function display	4-digit alphanumeric display
	Measured values	4-digit alphanumeric display
Electrical connection		
Connection		M12 connector; gold-plated contacts
Wiring		
Programming of the output function (OUT1 / OUT2): Hno = hysteresis / normally open Hnc = hysteresis / normally closed Fno = window function / normally open Fnc = window function / normally closed Complementary outputs: output 1: = Hno, output 2: = Hnc (with the same SP / rP)		
Programming of the analog output (OUT2): I = current output (4...20 mA) U = voltage output (0...10 V)		
Remarks		1) to EN50178, SELV, PELV *) BFSL = Best Fit Straight Line / LS = Limit Value Setting **) with temperature fluctuations < 10 K ***) in % of the span per year
Pack quantity [piece]		1