

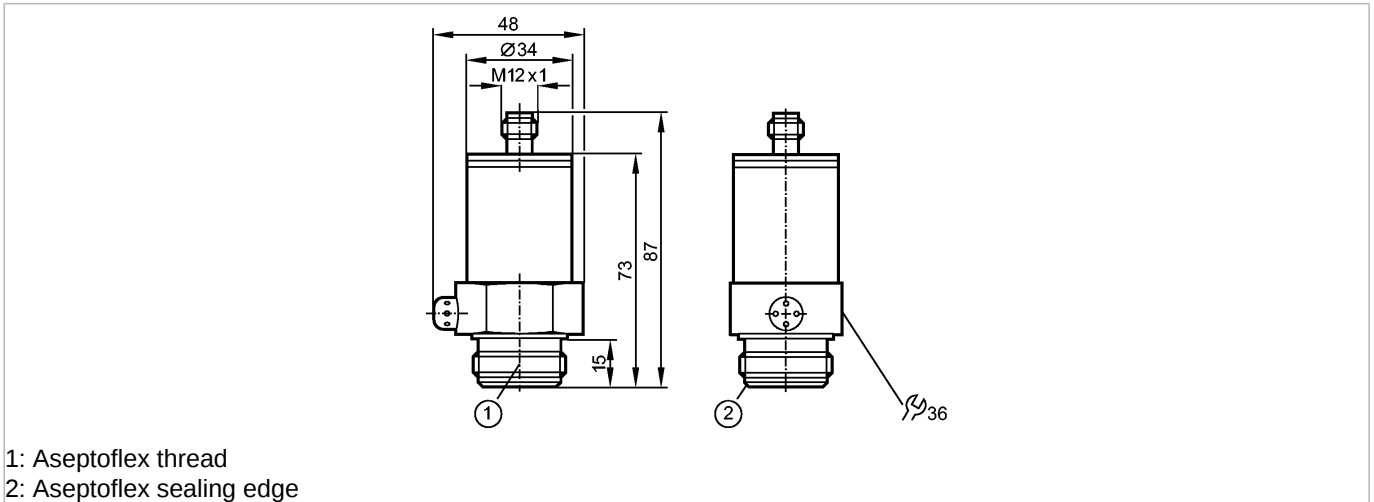
no longer available - archive entry

**efectorsoo**

PL8054



Pressure sensors



- 1: Aseptoflex thread
- 2: Aseptoflex sealing edge



Product characteristics

Electronic pressure sensor

Quick disconnect

no dead space

Zero and span adjustable

Programmable via EPS interface

Process connection: for Aseptoflex adapter

Analog output

Measuring range: 0...100 psi

Application

Application

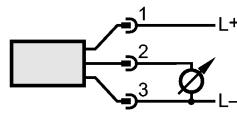
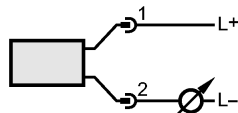
Type of pressure: relative pressure  
 Hygienic systems, viscous media and liquids with suspended particles  
 Liquids and gases

Pressure rating [psi]	725
Bursting pressure min. [psi]	2175
Medium temperature [°C]	-25...80
Electrical data	
Electrical design	DC
Operating voltage [V]	14...30 DC
Insulation resistance [MΩ]	> 100 (500 V DC)
Protection class	III
Reverse polarity protection	yes
Outputs	
Output	Analog output
Output function	4...20 mA analog
Overload protection	yes
Analog output	4...20 mA
Max. load [Ω]	max. (Ub - 13 V) / 20 mA; 550 at Ub = 24 V
Measuring / setting range	
Measuring range [psi]	0...100
Factory setting	ASP = 0.00 psi; AEP = 100 psi COF = 0.0; dAA = 0; Uni = psi
Accuracy / deviations	
Accuracy / deviations (in % of the span) Turn down 1:1	
Characteristics deviation *)	< ± 0.6

**PL8054 - Electronic pressure sensor - eclass: 27201302 / 27-20-13-02**

Linearity	< ± 0.5
Hysteresis	< ± 0.1
Repeatability **)	< ± 0.1
Long-term stability ***)	< ± 0.1
Temperature coefficients (TEMPCO) in the temperature range 0...80° C (in % of the span per 10 K)	
Greatest TEMPCO of the zero point	< ± 0.1
Greatest TEMPCO of the span	< ± 0.2
Reaction times	
Response time analog output [ms]	3
Environment	
Ambient temperature [°C]	-25...80
Storage temperature [°C]	-40...100
Protection	IP 67
Tests / approvals	
EMC	EN 61000-4-2 ESD: 4 kV CD / 8 kV AD EN 61000-4-3 HF radiated: 10 V/m EN 61000-4-4 Burst: 2 kV EN 61000-4-6 HF conducted: 10 V
Shock resistance	DIN IEC 68-2-27: 50 g (11 ms)
Vibration resistance	DIN IEC 68-2-6: 20 g (10...2000 Hz)
Mechanical data	
Process connection	for Aseptoflex adapter
Materials (wetted parts)	stainless steel 316L / 1.4404; ceramics (99.9 % Al <sub>2</sub> O <sub>3</sub> ); PTFE
Housing materials	stainless steel 316L / 1.4404; PEI; FPM (Viton)
Min. pressure cycles	100 million
Electrical connection	
Connection	M12 connector; gold-plated contacts

**Wiring**



Remarks

Remarks

\*) linearity, incl. hysteresis and repeatability;  
(limit value setting to DIN 16086)  
\*\*) with temperature fluctuations < 10 K  
\*\*\*) in % of the span per year

Pack quantity [piece]

1