

no longer available - archive entry

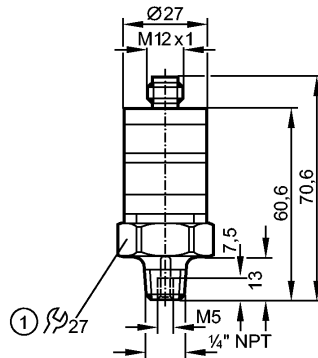
**efectorsoo**

PK6221



PK-250-SFN14-HCPKG/US/ W

Pressure sensors



1: tightening torque 25 Nm



Product characteristics

Electronic pressure monitor

Quick disconnect

Process connection: 1/4" NPT A / M5 I

2 switching outputs

normally open / closed complementary

Measuring range: 0...250 bar / 0...3625 psi

Application

Application

Type of pressure: relative pressure  
Liquids and gases

Pressure rating

400 bar

5800 psi

Bursting pressure min.

1000 bar

14500 psi

Medium temperature

[°C]

-25...80

Electrical data

Electrical design

DC PNP

Operating voltage

[V]

9.6...32 DC

Current consumption

[mA]

< 25

Insulation resistance

[MΩ]

> 100 (500 V DC)

Protection class

III

Reverse polarity protection

yes

Outputs

Output

2 switching outputs  
normally open / closed complementary

Output function

complementary

Current rating

[mA]

500

Voltage drop

[V]

< 2

Short-circuit protection

yes (non-latching)

Overload protection

yes

Switching frequency

[Hz]

100

Measuring / setting range

Measuring range

0...250 bar

0...3625 psi

Setting range

Set point, SP

12.5...250 bar

181...3625 psi

Reset point, rP

7.5...245 bar

109...3553 psi

Accuracy / deviations

Deviations (% of value of measuring range)

Switch point accuracy

< ± 2.5 \*

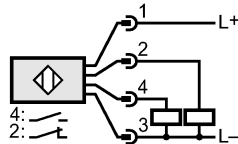
Characteristics deviation

< ± 1.5 (BFSL) / < ± 2.5 (LS) \*\*

**PK6221 - Electronic pressure monitor - eclass: 27201302 / 27-20-13-02**

Repeatability	< ± 0.5
Temperature drift ( / 10 K) in the temperature range [°C]	< ± 0.5 0...80
Software / programming Adjustment of the switch point	Setting rings
Environment	
Ambient temperature [°C]	-25...80
Storage temperature [°C]	-40...100
Protection	IP 67
Tests / approvals	
EMC	EN 61000-4-2 ESD: 4 kV CD / 8 kV AD EN 61000-4-3 HF radiated: 10 V/m EN 61000-4-4 Burst: 2 kV EN 61000-4-5 Surge: 0.5/1 kV EN 61000-4-6 HF conducted: 10 V
Shock resistance	DIN IEC 68-2-27: 50 g (11 ms)
Vibration resistance	DIN IEC 68-2-6: 20 g (10...2000 Hz)
Mechanical data	
Process connection	¼" NPT A / M5 I
Materials (wetted parts)	stainless steel 316L / 1.4404
Housing materials	PBT (Pocan); PC (Makrolon); FPM (Viton); stainless steel 316L / 1.4404
Switching cycles min.	50 million
Displays / operating elements	
Display	Power LED green Switching status LED yellow
Electrical connection	
Connection	M12 connector

**Wiring**



Remarks	
Remarks	*) Setting accuracy **) BFSL = Best Fit Straight Line / LS = Limit Value Setting
Pack quantity [piece]	1