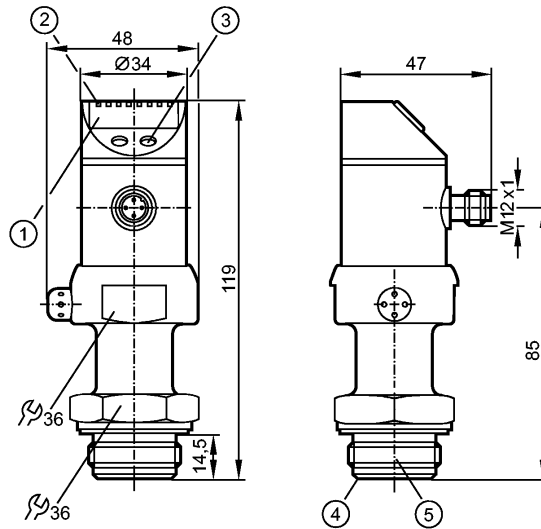


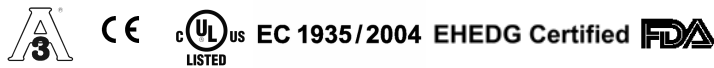
PI2094

PI-010-RES30-MFRKG/US/ /P

Pressure sensors



- 1: 4-digit alphanumeric display
- 2: status LEDs
- 3: Programming button
- 4: Aseptoflex sealing edge
- 5: Aseptoflex thread



Product characteristics

Combined pressure sensor
Quick disconnect
no dead space
Freely rotatable housing 350°
Zero and span adjustable
Function programmable
Process connection: for Aseptoflex adapter
2 Output OUT1 = Switching output OUT2 = Analog output
4-digit alphanumeric display
Measuring range: -1.00...10.00 bar / -14.5...145.0 psi / -0.100...1.000 MPa

Application

Application	Type of pressure: relative pressure Hygienic systems, viscous media and liquids with suspended particles Liquids and gases		
Pressure rating	50 bar	725 psi	5 MPa
Bursting pressure min.	150 bar	2175 psi	15 MPa
Medium temperature [°C]	-25...125 (145 max. 1h)		

Electrical data

Electrical design	DC PNP/NPN
Operating voltage [V]	18...32 DC
Current consumption [mA]	< 50
Insulation resistance [MΩ]	> 100 (500 V DC)
Protection class	III
Reverse polarity protection	yes

PI2094

PI-010-RES30-MFRKG/US/ /P

Pressure sensors

Outputs			
Output	2 Output OUT1 = Switching output OUT2 = Analog output		
Output function	1 x normally open / closed programmable + 1 x analog (I / U, scaleable 1:4)		
Current rating [mA]	250		
Voltage drop [V]	< 2		
Short-circuit protection	yes (non-latching)		
Overload protection	yes		
Switching frequency [Hz]	6		
Analog output	I: 4...20 mA (Ineg: 20...4 mA) / U: 0...10 V (Uneg: 10...0 V)		
Max. load [Ω]	I / Ineg: max. (Ub - 10 V) x 50; U / Uneg: min. 2000		
Measuring / setting range			
Display unit	bar, psi, MPa, % der Spanne		
Measuring range	-1.00...10.00 bar	-14.5...145.0 psi	-0.100...1.000 MPa
Setting range			
Set point, SP	-0.98...10.00 bar	-14.2...145.0 psi	-0.098...1.000 MPa
Reset point, rP	-1.00...9.98 bar	-14.5...144.7 psi	-0.100...0.998 MPa
Analog start point, ASP	-1.00...7.25 bar	-14.5...105.1 psi	-0.100...0.725 MPa
Analog end point, AEP	1.75...10.00 bar	25.4...145.0 psi	0.175...1.000 MPa
in steps of	0.01 bar	0.1 psi	0.001 MPa
Factory setting	SP1 = 2.50 bar; rP1 = 2.30 bar ASP = 0.00 bar; AEP = 10.00 bar		
Accuracy / deviations			
Accuracy / deviations (in % of the span) Turn down 1:1			
Switch point accuracy	< ± 0.2		
Characteristics deviation *)	< ± 0.2		
Linearity	< ± 0.15		
Hysteresis	< ± 0.15		
Repeatability **)	< ± 0.1		
Long-term stability ***)	< ± 0.1		
Temperature coefficients (TEMPCO) in the temperature range 0...70° C (in % of the span per 10 K)			
Greatest TEMPCO of the zero point	< ± 0.05		
Greatest TEMPCO of the span	< ± 0.15		
Reaction times			
Power-on delay time [s]	0.5		
Min. response time switching output [ms]	100		
Damping for the switching output (dAP) [s]	0.1...100.0		
Damping for the analog output (dAA) [s]	0.1...100.0		
Step response time analogue output [ms]	25		
Integrated watchdog	yes		
Software / programming			

PI2094

PI-010-RES30-MFRKG/US/ /P

Pressure sensors

Programming options	hysteresis / window function; N.O. / N.C; output polarity; current / voltage outputs; damping; calibration of displayed values; display can be rotated / deactivated; display unit
---------------------	--

Environment

Ambient temperature	[°C]	-25...80
Storage temperature	[°C]	-40...100
Protection		IP 67 / IP 69K

Tests / approvals

EMC	EN 61000-4-2 ESD:	4 kV CD / 8 kV AD
	EN 61000-4-3 HF radiated:	10 V/m
	EN 61000-4-4 Burst:	2 kV
	EN 61000-4-5 Surge:	0.5/1 kV
	EN 61000-4-6 HF conducted:	10 V
Shock resistance	DIN IEC 68-2-27:	50 g (11 ms)
Vibration resistance	DIN IEC 68-2-6:	20 g (10...2000 Hz)
MTTF	[Years]	173

Mechanical data

Process connection	for Aseptoflex adapter	
Materials (wetted parts)	ceramics (99.9 % Al ₂ O ₃); PTFE; stainless steel 316L / 1.4435; surface characteristics: Ra < 0.4 / Rz 4	
Housing materials	stainless steel 316L / 1.4404; PC (Makrolon); PBT (Pocan); PEI; FPM (Viton); PTFE	
Switching cycles min.	100 million	
Weight	[kg]	0.406

Displays / operating elements

Display	Display unit 4 x LED green Switching status LED yellow Function display 4-digit alphanumeric display Measured values 4-digit alphanumeric display
---------	--

Electrical connection

Connection	M12 connector; gold-plated contacts
------------	-------------------------------------

Wiring

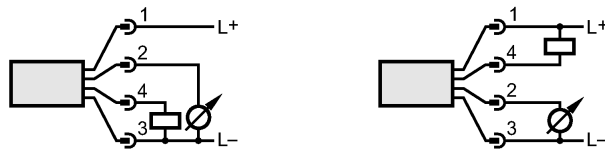
Programming of the output function

-----OUT1-----

- Switching output
- Hno = hysteresis / normally open
- Hnc = hysteresis / normally closed
- Fno = window function / normally open
- Fnc = window function / normally closed

-----OUT2-----

- Analog output
- I = current output (4...20 mA)
- U = voltage output (0...10 V)



Remarks

Remarks	*) linearity, incl. hysteresis and repeatability; (limit value setting to DIN 16086) **) with temperature fluctuations < 10 K ***) in % of the span per year
---------	--



PI2094

PI-010-RES30-MFRKG/US/ /P

Pressure sensors

The 3-A qualification is only valid if adapters with 3-A qualification are used for installation.

Pack quantity	[piece]	1
---------------	---------	---