

no longer available - archive entry replaced by: PN7302

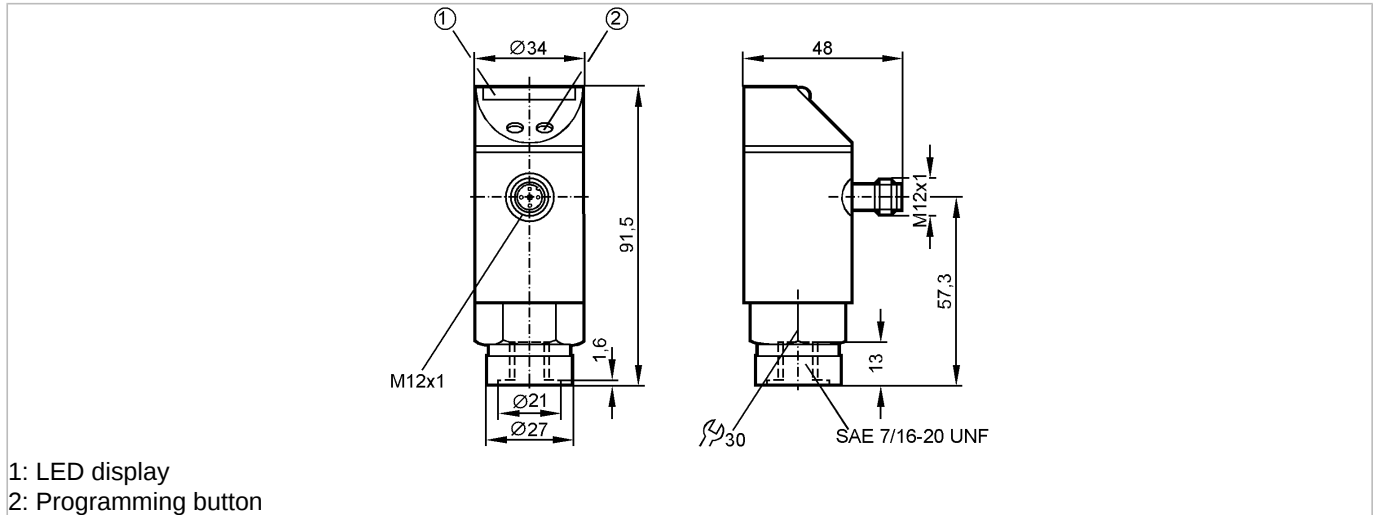
efectorsoo

PB5322



PB-100PSBU76-HFPKG/US/ IV

Pressure sensors



1: LED display
2: Programming button



Product characteristics
Electronic pressure monitor

Quick disconnect

Adjustable hysteresis

Process connection: 7/16-20 UNF (SAE)

Switching output

LED display

Measuring range: 0...1000 psi

Application

Application

Type of pressure: relative pressure
Liquids and gases

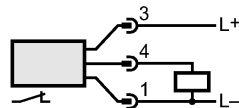
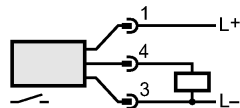
For gaseous media the application is limited to max. 25 bar (363 psi)

Pressure rating	[psi]	4500
Bursting pressure min.	[psi]	9000
Medium temperature	[°C]	-25...80
Electrical data		
Electrical design		DC PNP
Operating voltage	[V]	18...30 DC
Current consumption	[mA]	< 50
Insulation resistance	[MΩ]	> 100 (500 V DC)
Protection class		III
Reverse polarity protection		yes
Outputs		
Output		Switching output
Output function		normally open / closed programmable
Current rating	[mA]	250
Voltage drop	[V]	< 2
Short-circuit protection		yes (non-latching)
Overload protection		yes
Switching frequency	[Hz]	10
Measuring / setting range		
Measuring range	[psi]	0...1000
Setting range		
Set point, SP	[psi]	50...1000
Reset point, rP	[psi]	30...980

PB5322 - Electronic pressure monitor - eclass: 27201302 / 27-20-13-02

in steps of	[psi]	10
Accuracy / deviations		
Deviations (% of value of measuring range)		
Switch point accuracy		< ± 2.0
Repeatability		< ± 0.25
Temperature drift (/ 10 K)		< ± 0.3
in the temperature range	[°C]	-25...80
Reaction times		
Power-on delay time	[s]	0.2
Integrated watchdog		yes
Software / programming		
Adjustment of the switch point		Programming button
Environment		
Ambient temperature	[°C]	-25...80
Storage temperature	[°C]	-40...100
Protection		IP 67
Tests / approvals		
EMC		EN 61000-4-2 ESD: 4 kV CD / 8 kV AD EN 61000-4-3 HF radiated: 10 V/m EN 61000-4-4 Burst: 2 kV EN 61000-4-6 HF conducted: 10 V
Shock resistance		DIN IEC 68-2-27: 50 g (11 ms)
Vibration resistance		DIN IEC 68-2-6: 20 g (10...2000 Hz)
Mechanical data		
Process connection		7/16-20 UNF (SAE)
Materials (wetted parts)		FPM (Viton); ceramics; stainless steel (303S22)
Housing materials		EPDM/X (Santoprene); FPM (Viton); NBR (Buna N); PA; PBT (Pocan); PC (Makrolon); PTFE; stainless steel (304S15)
Switching cycles min.		100 million
Weight	[kg]	0.3
Displays / operating elements		
Display		Switching status LED yellow Measured values 10 LEDs green (in 10 % steps of the final value)
Electrical connection		
Connection		M12 connector; gold-plated contacts

Wiring



Remarks

Pack quantity	[piece]	1
---------------	---------	---