

no longer available - archive entry replaced by: PN5204

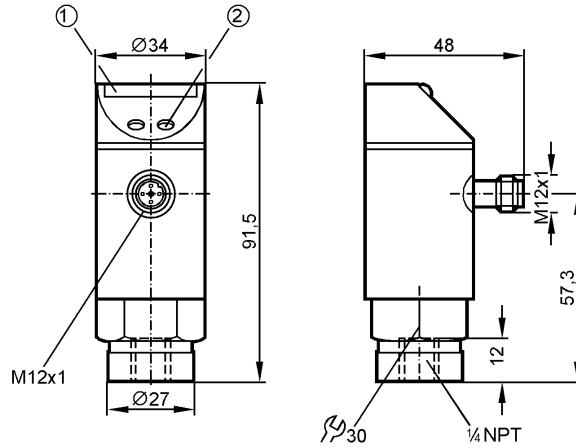
efectorsoo

PB5224



PB-010PRBN14-HFPKG/US/ IV

Pressure sensors



1: LED display
2: Programming button



Product characteristics

Electronic pressure monitor

Quick disconnect

Adjustable hysteresis

Process connection: 1/4" NPT

Switching output

LED display

Measuring range: 0...100 psi

Application

Application

Type of pressure: relative pressure
Liquids and gases

Pressure rating [psi]

700

Bursting pressure min. [psi]

2000

Medium temperature [°C]

-25...80

Electrical data

Electrical design

DC PNP

Operating voltage [V]

18...30 DC

Current consumption [mA]

50

Insulation resistance [MΩ]

> 100 (500 V DC)

Protection class

III

Reverse polarity protection

yes

Outputs

Output

Switching output

Output function

normally open / closed programmable

Current rating [mA]

250

Voltage drop [V]

< 2

Short-circuit protection

yes (non-latching)

Overload protection

yes

Switching frequency [Hz]

10

Measuring / setting range

Measuring range [psi]

0...100

Setting range

Set point, SP [psi]

5...100

Reset point, rP [psi]

3...98

in steps of [psi]

1

PB5224 - Electronic pressure monitor - eclass: 27201302 / 27-20-13-02

Accuracy / deviations

Deviations (% of value of measuring range)

Switch point accuracy	< ± 2.0
Repeatability	< ± 0.25
Temperature drift (/ 10 K)	< ± 0.3
in the temperature range [°C]	-25...80

Reaction times

Power-on delay time [s]	0.2
Integrated watchdog	yes

Software / programming

Adjustment of the switch point	Programming button
--------------------------------	--------------------

Environment

Ambient temperature [°C]	-25...80
Storage temperature [°C]	-40...100

Protection	IP 65
------------	-------

Tests / approvals

EMC	EN 61000-4-2 ESD:	4 kV CD / 8 kV AD
	EN 61000-4-3 HF radiated:	10 V/m
	EN 61000-4-4 Burst:	2 kV
	EN 61000-4-6 HF conducted:	10 V

Shock resistance	DIN IEC 68-2-27:	50 g (11 ms)
------------------	------------------	--------------

Vibration resistance	DIN IEC 68-2-6:	20 g (10...2000 Hz)
----------------------	-----------------	---------------------

Mechanical data

Process connection	¼" NPT
--------------------	--------

Materials (wetted parts)	FPM (Viton); ceramics; stainless steel (303S22)
--------------------------	---

Housing materials	EPDM/X (Santoprene); FPM (Viton); NBR (Buna N); PA; PBT (Pocan); PC (Makrolon); PTFE; stainless steel (304S15)
-------------------	--

Switching cycles min.	100 million
-----------------------	-------------

Weight [kg]	0.274
-------------	-------

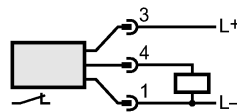
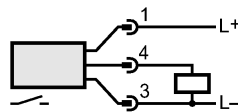
Displays / operating elements

Display	Switching status LED yellow Measured values 10 LEDs green (in 10 % steps of the final value)
---------	---

Electrical connection

Connection	M12 connector; gold-plated contacts
------------	-------------------------------------

Wiring



Remarks

Pack quantity [piece]	1
-----------------------	---