

no longer available - archive entry replaced by: PN5002

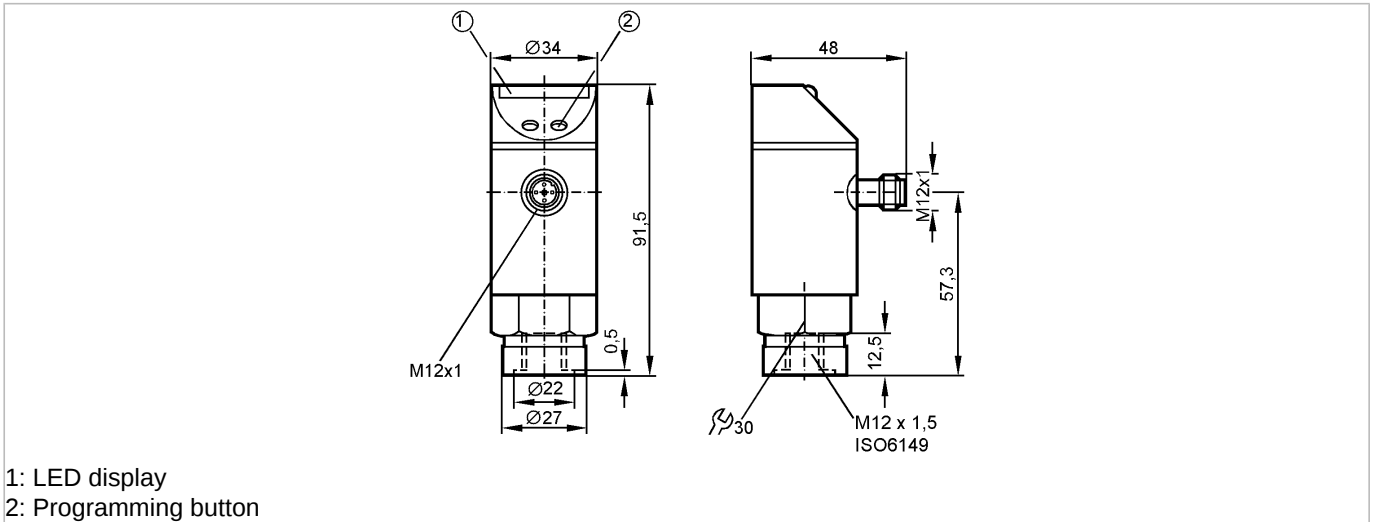
**efectorsoo**

PB5122



PB-100-SBM12-HFPKG/US/ V

Pressure sensors



1: LED display  
2: Programming button



Product characteristics

Electronic pressure monitor

M12 x 1.5

Quick disconnect

Adjustable hysteresis

Switching output

LED display

Measuring range: 0...100 bar

Application

Application

Type of pressure: relative pressure  
Liquids and gases  
For gaseous media the application is limited to max. 25 bar

Pressure rating [bar]  
Bursting pressure min. [bar]  
Medium temperature [°C]

300

650

-25...80

Electrical data

Electrical design

DC PNP

Operating voltage [V]

18...30 DC

Current consumption [mA]

< 50

Insulation resistance [MΩ]

> 100 (500 V DC)

Protection class

III

Reverse polarity protection

yes

Outputs

Output

Switching output

Output function

normally open / closed programmable

Current rating [mA]

250

Voltage drop [V]

< 2

Short-circuit protection

yes (non-latching)

Overload protection

yes

Switching frequency [Hz]

10

Measuring / setting range

Measuring range [bar]

0...100

Setting range

Set point, SP [bar]

5...100

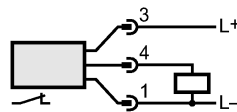
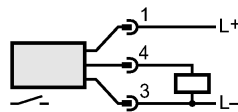
Reset point, rP [bar]

3...98

**PB5122 - Electronic pressure monitor - eclass: 27201302 / 27-20-13-02**

in steps of	[bar]	1
Accuracy / deviations		
Deviations (% of value of measuring range)		
Switch point accuracy		< ± 2.0
Repeatability		< ± 0.25
Temperature drift ( / 10 K)		< ± 0.3
in the temperature range	[°C]	-25...80
Reaction times		
Power-on delay time	[s]	0.2
Integrated watchdog		yes
Software / programming		
Adjustment of the switch point		Programming button
Environment		
Ambient temperature	[°C]	-25...80
Storage temperature	[°C]	-40...100
Protection		IP 67
Tests / approvals		
EMC		EN 61000-4-2 ESD: 4 kV CD / 8 kV AD EN 61000-4-3 HF radiated: 10 V/m EN 61000-4-4 Burst: 2 kV EN 61000-4-6 HF conducted: 10 V
Shock resistance		DIN IEC 68-2-27: 50 g (11 ms)
Vibration resistance		DIN IEC 68-2-6: 20 g (10...2000 Hz)
Mechanical data		
Materials (wetted parts)		FPM (Viton); ceramics; stainless steel (303S22)
Housing materials		EPDM/X (Santoprene); FPM (Viton); NBR (Buna N); PA; PBT (Pocan); PC (Makrolon); stainless steel (304S15)
3W3HNC		100 million
Weight	[kg]	0.3
Displays / operating elements		
Display		Switching status LED yellow Measured values 10 LEDs green (in 10 % steps of the final value)
Electrical connection		
Connection		M12 connector; gold-plated contacts

**Wiring**



Remarks

Pack quantity	[piece]	1
---------------	---------	---