

no longer available - archive entryreplaced by: PN4224

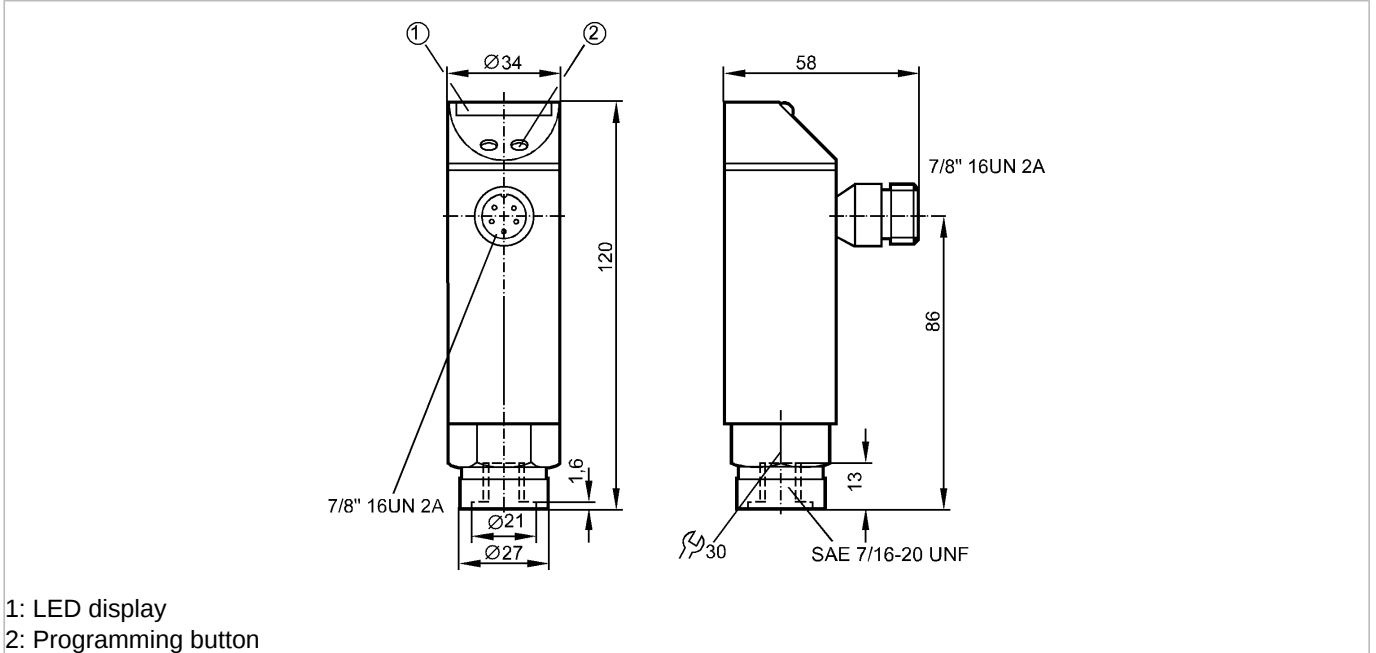
**efectorsoo**

PB4314



PB-010PRBU76-HFBOW/LS/ IV

Pressure sensors



1: LED display  
2: Programming button



Product characteristics

Electronic pressure monitor

Quick disconnect

Adjustable hysteresis

Process connection: 7/16-20 UNF (SAE)

Switching output

LED display

Measuring range: 0...100 psi

Application

Application

Type of pressure: relative pressure  
Liquids and gases

|                        |       |
|------------------------|-------|
| Pressure rating        | [psi] |
| Bursting pressure min. | [psi] |
| Medium temperature     | [°C]  |

|          |
|----------|
| 700      |
| 2000     |
| -25...70 |

Electrical data

Electrical design

|                     |      |
|---------------------|------|
| Operating voltage   | [V]  |
| Current consumption | [mA] |

|              |
|--------------|
| AC           |
| 102...132 AC |
| 20           |

Protection class

Reverse polarity protection

|    |
|----|
| I  |
| no |

Outputs

Output

Output function

|                |      |
|----------------|------|
| Current rating | [mA] |
| Voltage drop   | [V]  |

|  |
|--|
| Switching output   |
| normally open  |
| 250; (...70 °C); 1000 (...60 °C); 1500 (...45 °C); 2500 (...20 °C) |
| < 2  |

Short-circuit protection

Overload protection

Switching frequency [Hz]

|    |
|----|
| no |
| no |
| 10 |

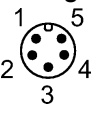
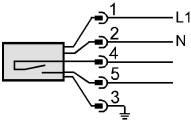
Measuring / setting range

Measuring range [psi]

Setting range

|         |
|---------|
| 0...100 |
|---------|

**PB4314 - Electronic pressure monitor - eclass: 27201302 / 27-20-13-02**

|   |   |  |
|---|---|--|
| Set point, SP   | [psi]   | 5...100  |
| Reset point, rP   | [psi]   | 3...98   |
| in steps of   | [psi]   | 1  |
| Accuracy / deviations   |   |  |
| Deviations (% of value of measuring range)  |   |  |
| Switch point accuracy   |   | < ± 2.0  |
| Repeatability   |   | < ± 0.25   |
| Temperature drift ( / 10 K)   |   | < ± 0.3  |
| in the temperature range  | [°C]  | -25...80   |
| Reaction times  |   |  |
| Power-on delay time   | [s]   | 0.35   |
| Integrated watchdog   |   | yes  |
| Software / programming  |   |  |
| Adjustment of the switch point  |   | Programming button   |
| Environment   |   |  |
| Ambient temperature   | [°C]  | -25...70   |
| Storage temperature   | [°C]  | -40...100  |
| Protection  |   | IP 65  |
| Tests / approvals   |   |  |
| EMC   |   |  |
|   | IEC 801/2 ESD:  | 4 kV CD / 8 kV AD  |
|   | IEC 801/3 HF:   | 10 V/m   |
|   | IEC 801/4 Burst:  | 2 kV   |
| Shock resistance  | DIN IEC 68-2-27:  | 50 g (11 ms)   |
| Vibration resistance  | DIN IEC 68-2-6:   | 20 g (10...2000 Hz)  |
| Mechanical data   |   |  |
| Process connection  |   | 7/16-20 UNF (SAE)  |
| Materials (wetted parts)  |   | FPM (Viton); ceramics; stainless steel (303S22)  |
| Housing materials   |   | EPDM/X (Santoprene); FPM (Viton); NBR (Buna N); PBT (Pocan); PC (Makrolon); stainless steel (304S15) |
| Switching cycles min.   |   | 100 million  |
| Weight  | [kg]  | 0.3  |
| Displays / operating elements   |   |  |
| Display   |   | Switching status LED yellow<br>Measured values 10 LEDs green (in 10 % steps of the final value)      |
| Electrical connection   |   |  |
| Connection  |   | 7/8" connector   |
| <b>Wiring</b>   |   |  |
|  |  |  |
| Remarks   |   |  |
| Remarks   |   | *) shortly (< 200 ms) 15 A (20 °C); 6 A (60 °C)  |
| Pack quantity   | [piece]   | 1  |