

no longer available - archive entry replaced by: PN4222

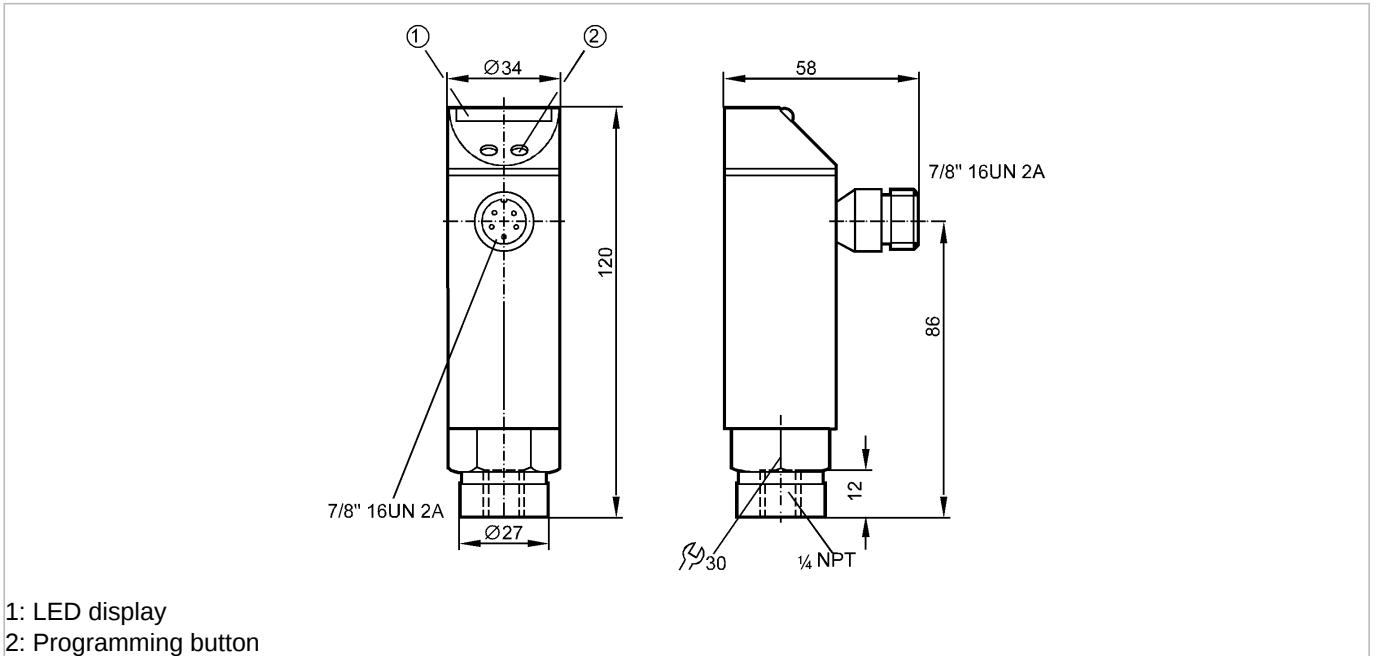
efectorsoo

PB4212



PB-100PSBN14-HFBOW/LS/ IV

Pressure sensors



1: LED display
2: Programming button



Product characteristics

Electronic pressure monitor

Quick disconnect

Adjustable hysteresis

Process connection: 1/4" NPT

Switching output

LED display

Measuring range: 0...1000 psi

Application

Application

Type of pressure: relative pressure

Liquids and gases

For gaseous media the application is limited to max. 25 bar (363 psi)

Pressure rating	[psi]
Bursting pressure min.	[psi]
Medium temperature	[°C]

4500
9000
-25...70

Electrical data

Electrical design

AC

Operating voltage

[V]

102...132 AC

Current consumption

[mA]

20

Protection class

I

Reverse polarity protection

no

Outputs

Output

Switching output

Output function

normally open

Current rating

[mA]

250; (...70 °C); 1000 (...60 °C); 1500 (...45 °C); 2500 (...20 °C)

Voltage drop

[V]

< 2

Short-circuit protection

no

Overload protection

no

Switching frequency

[Hz]

10

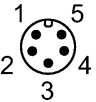
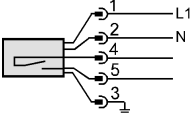
Measuring / setting range

Measuring range

[psi]

0...1000

PB4212 - Electronic pressure monitor - eclass: 27201302 / 27-20-13-02

Setting range		
Set point, SP	[psi]	50...1000
Reset point, rP	[psi]	30...980
in steps of	[psi]	10
Accuracy / deviations		
Deviations (% of value of measuring range)		
Switch point accuracy		< ± 2.0
Repeatability		< ± 0.25
Temperature drift (/ 10 K)		< ± 0.3
in the temperature range	[°C]	-25...80
Reaction times		
Power-on delay time	[s]	0.35
Integrated watchdog		yes
Software / programming		
Adjustment of the switch point		Programming button
Environment		
Ambient temperature	[°C]	-25...70
Storage temperature	[°C]	-40...100
Protection		IP 67
Tests / approvals		
EMC		
	IEC 801/2 ESD:	4 kV CD / 8 kV AD
	IEC 801/3 HF:	10 V/m
	IEC 801/4 Burst:	2 kV
Shock resistance	DIN IEC 68-2-27:	50 g (11 ms)
Vibration resistance	DIN IEC 68-2-6:	20 g (10...2000 Hz)
Mechanical data		
Process connection		1/4" NPT
Materials (wetted parts)		FPM (Viton); ceramics; stainless steel (303S22)
Housing materials		EPDM/X (Santoprene); FPM (Viton); NBR (Buna N); PBT (Pocan); PC (Makrolon); stainless steel (304S15)
Switching cycles min.		100 million
Weight	[kg]	0.274
Displays / operating elements		
Display		Switching status LED yellow Measured values 10 LEDs green (in 10 % steps of the final value)
Electrical connection		
Connection		7/8" connector
Wiring		
		
Remarks		
Remarks		*) shortly (< 200 ms) 15 A (20 °C); 6 A (60 °C)
Pack quantity	[piece]	1