

no longer available - archive entry replaced by: PN4222 + E30058

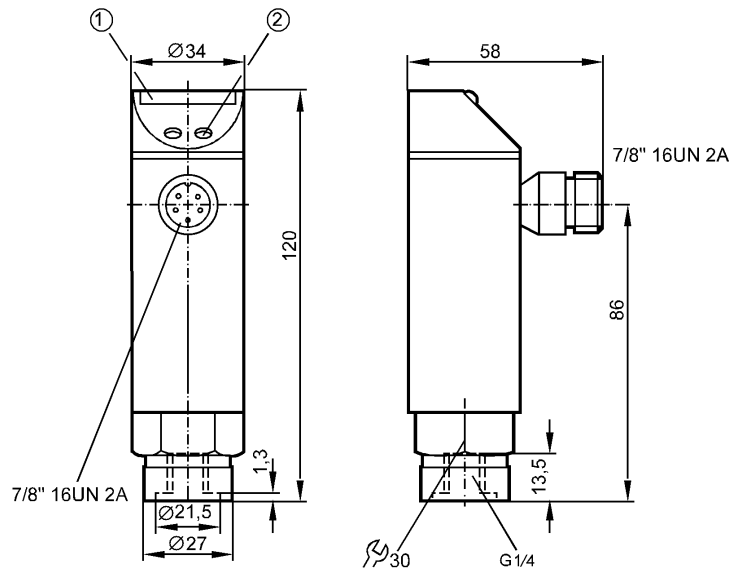
efectorsoo

PB4012



PB-100-SBR14-HFBOW/LS/ IV

Pressure sensors



- 1: LED display
- 2: Programming button



Product characteristics

Electronic pressure monitor

Quick disconnect

Adjustable hysteresis

Process connection: G 1/4 I

Switching output

LED display

Measuring range: 0...100 bar

Application

Application

Type of pressure: relative pressure

Liquids and gases

For gaseous media the application is limited to max. 25 bar

Pressure rating	[bar]
Bursting pressure min.	[bar]
Medium temperature	[°C]

300
650
-25...70

Electrical data

Electrical design

AC

Operating voltage [V]

102...132 AC

Current consumption [mA]

20

Reverse polarity protection

no

Outputs

Output

Switching output

Output function

normally open

Current rating [mA]

250; (...70 °C); 1000 (...60 °C); 1500 (...45 °C); 2500 (...20 °C)

Voltage drop [V]

< 2

Short-circuit protection

no

Overload protection

no

Measuring / setting range

Measuring range [bar]

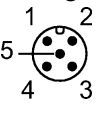
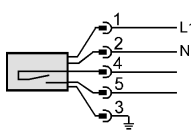
0...100

Setting range

Set point, SP [bar]

5...100

PB4012 - Electronic pressure monitor - eclass: 27201302 / 27-20-13-02

Reset point, rP [bar]	3...98
in steps of [bar]	1
Accuracy / deviations	
Deviations (% of value of measuring range)	
Switch point accuracy	< ± 2.0
Repeatability	< ± 0.25
Temperature drift (/ 10 K)	< ± 0.3
in the temperature range [°C]	-25...80
Reaction times	
Power-on delay time [s]	0.35
Integrated watchdog	yes
Software / programming	
Adjustment of the switch point	Programming button
Environment	
Ambient temperature [°C]	-25...70
Storage temperature [°C]	-40...100
Protection	IP 67
Tests / approvals	
EMC	IEC 801/2 ESD: 4 kV CD / 8 kV AD IEC 801/3 HF: 10 V/m IEC 801/4 Burst: 2 kV
Shock resistance	DIN IEC 68-2-27: 50 g (11 ms)
Vibration resistance	DIN IEC 68-2-6: 20 g (10...2000 Hz)
Mechanical data	
Process connection	G ¼ I
Materials (wetted parts)	FPM (Viton); ceramics; stainless steel (303S22)
Housing materials	EPDM/X (Santoprene); FPM (Viton); NBR (Buna N); PBT (Pocan); PC (Makrolon); stainless steel (304S15)
3W3HNC	100 million
Weight [kg]	0.305
Displays / operating elements	
Display	Switching status LED yellow Measured values 10 LEDs green (in 10 % steps of the final value)
Electrical connection	
Connection	7/8" connector
Wiring	
	
Remarks	
Remarks	*) shortly (< 200 ms) 15 A (20 °C); 6 A (60 °C)
Pack quantity [piece]	1