

no longer available - archive entry Alternative article: OJ5060

When selecting an alternative article and accessories please note that technical data may differ!

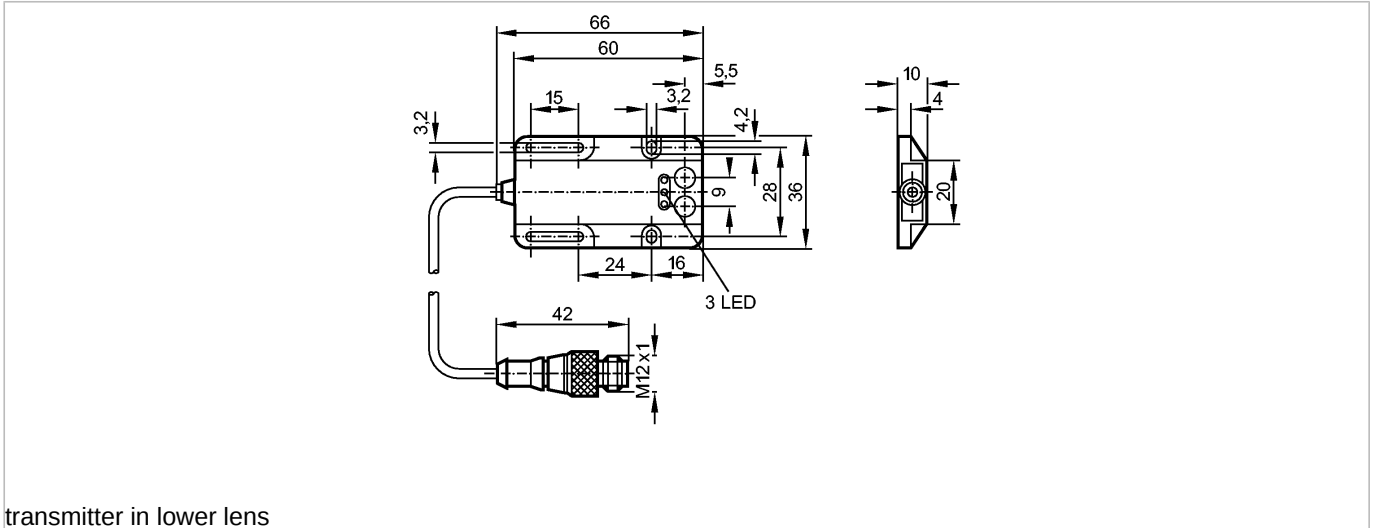
efector200

OW1003



OWT-FPKG/0.1M/US

Photoelectric sensors



transmitter in lower lens



Product characteristics

Diffuse reflection sensor

Rectangular, plastics

Cable with connector

Range 1...150mm

Electrical data

Electrical design

DC PNP

Operating voltage [V]

10...36 DC

Current consumption [mA]

35 (36 V)

Type of light

red light 660 nm

Reverse polarity protection

yes

Outputs

Output function

light-on / dark-on programmable

Voltage drop [V]

< 2.5

Current rating [mA]

200

Short-circuit protection

yes (non-latching)

Overload protection

yes

Switching frequency [Hz]

250

Monitoring range

Range [mm]

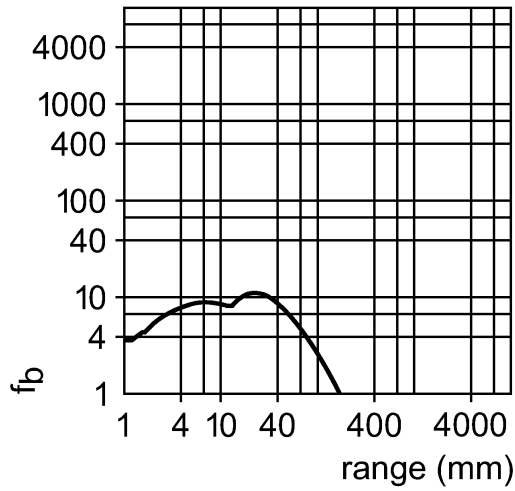
1...150

Light spot diameter [mm]

15 (at maximum range)

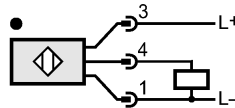
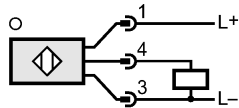
Excess gain graphs

OW1003 - Diffuse reflection sensor - eclass: 27270903 / 27-27-09-03



Environment	
Ambient temperature [°C]	-25...60
Protection	IP 67
Tests / approvals	
EMC	EN 60947-5-2 EN 55011: class B
MTTF [Years]	858
Mechanical data	
Housing materials	ABS (glass fiber reinforced)
Lens material	PMMA
Weight [kg]	0.043
Displays / operating elements	
Output status indication LED	yellow
Power LED	green
Function display LED	red
Electrical connection	
Connection	PVC cable / 0.1 m; with M12 connector

Wiring



Remarks

Pack quantity [piece]	1
-----------------------	---

ifm efector, inc. • 1100 Atwater Drive • Malvern • PA 19355 — We reserve the right to make technical alterations without prior notice. — US — OW1003 — 06.03.2003
 no longer available - archive entry Alternative article: OJ5060
 When selecting an alternative article and accessories please note that technical data may differ!