

replaced by: TW7001 + E35065

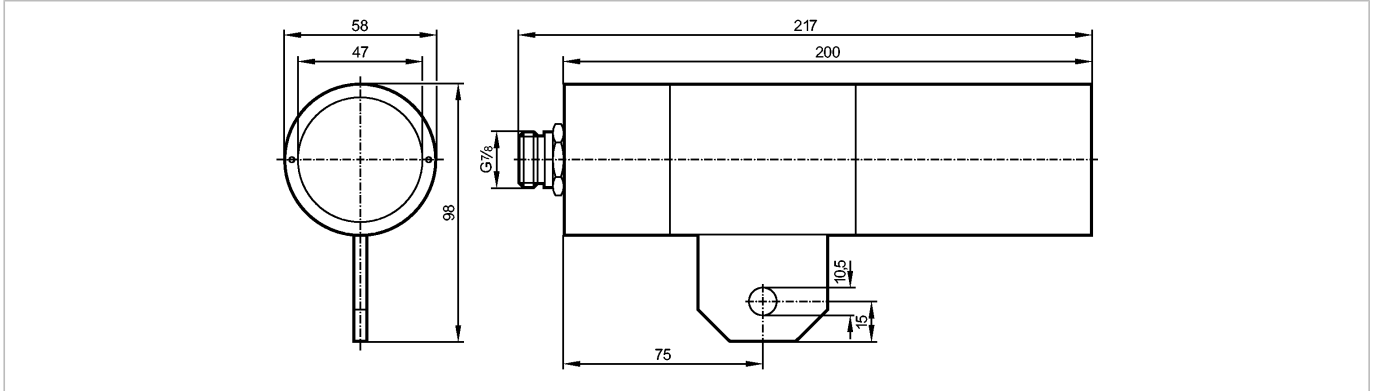
efector600

OW0005



OWL-7506-ABOA

Temperature sensors



Product characteristics

Infrared heat sensor

Metal housing

Quick disconnect

Switching temperature 750 °C

Angle of aperture 0.6°

Electrical data

Electrical design

AC/DC

Operating voltage [V]

20...250 AC/DC

Reverse polarity protection

no

Outputs

Output function

normally open

Voltage drop [V]

< 10.5

Minimum load current [mA]

15

Leakage current [mA]

7

Current rating

- Current rating (continuous) [mA]

200 AC / 50 DC; 250 AC (...50 °C)

- Current rating (peak) [mA]

î: 1.5 A (10 ms / 0.5 Hz)

Short-circuit proof

no

Overload protection

no

Switching frequency [Hz]

20 AC / 25 DC

Monitoring range

Hysteresis [%]

1...15

Environment

Ambient temperature [°C]

-20...60

Protection

IP 65

Tests / approvals

EMC

EN 60947-5-2

EN 55011:

class B

Mechanical data

Housing materials

brass white bronze coated

Lens material

glass

Weight [kg]

1.465

Displays / operating elements

Output status indication LED

yellow

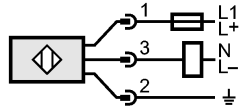
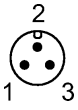
Electrical connection

Connection

7/8" connector

Wiring

OW0005 - Infrared heat sensor - eclass: 27270903 / 27-27-09-03



Note: miniature fuse to IEC60127-2 sheet 1,
 ≤ 2 A (fast acting)

Remarks

Remarks

Recommendation: check the unit for reliable function after a short circuit.

Pack quantity

[piece]

1

ifm efector, inc. • 1100 Atwater Drive • Malvern • PA 19355 — We reserve the right to make technical alterations without prior notice. — US — OW0005 — 06.03.2003
 replaced by: TW7001 + E35065