

no longer available - archive entry replaced by: TW7011 + E35061 + E35065

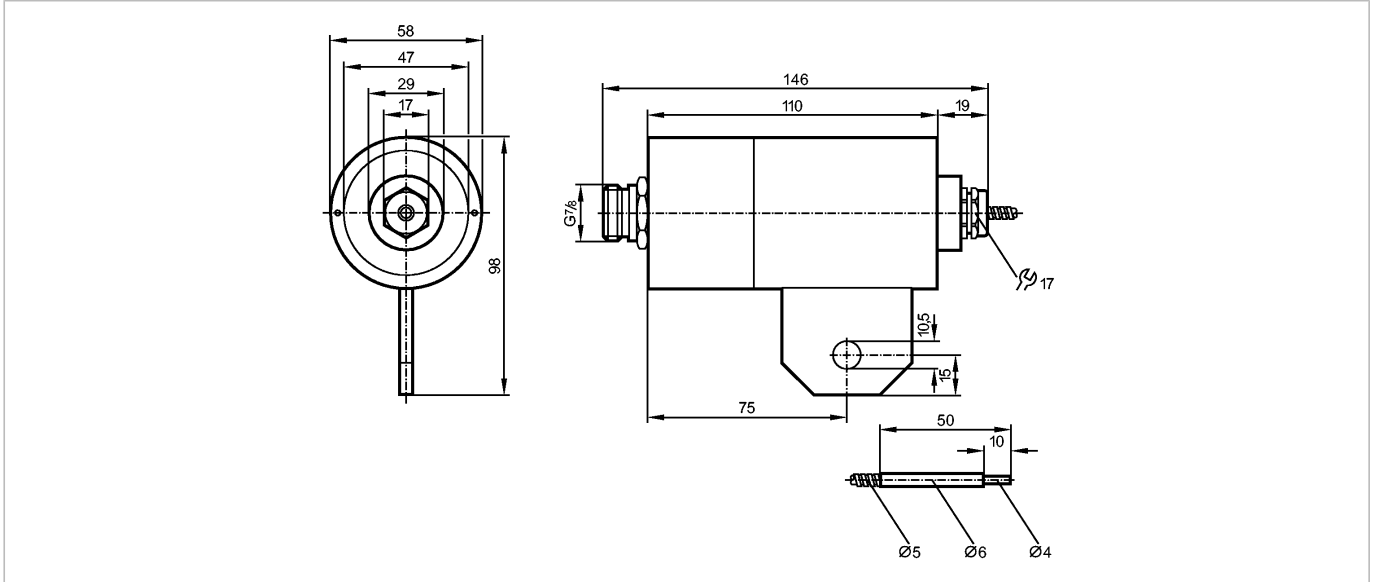
**efector600**

OW0002



OWF-9000-ABOA

Temperature sensors



Product characteristics

Infrared heat sensor

Metal housing

Quick disconnect

Switching temperature 900 °C

Angle of aperture 2°/7°/68°

Electrical data

Electrical design

AC/DC

Operating voltage [V]

20...250 AC/DC

Reverse polarity protection

no

Outputs

Output function

normally open

Voltage drop [V]

< 10.5

Minimum load current [mA]

15

Leakage current [mA]

7

**Current rating**

- Current rating (continuous) [mA]

200 AC / 50 DC; 250 AC (...50 °C)

- Current rating (peak) [mA]

î: 1.5 A (10 ms / 0.5 Hz)

Short-circuit proof

no

Overload protection

no

Switching frequency [Hz]

20 AC / 25 DC

Monitoring range

Hysteresis [%]

1...15

Environment

Ambient temperature [°C]

-20...60

Protection

IP 65

Tests / approvals

EMC

EN 60947-5-2

EN 55011:

class B

Mechanical data

Housing materials

brass white bronze coated

Lens material

glass

Weight [kg]

1.342

**OW0002 - Infrared heat sensor - eclass: 27270903 / 27-27-09-03**

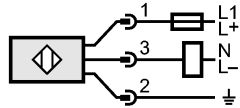
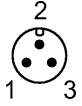
Displays / operating elements

Output status indication **LED** | yellow

Electrical connection

Connection | 7/8" connector

**Wiring**



Note: miniature fuse to IEC60127-2 sheet 1,  
 $\leq 2$  A (fast acting)

Accessories

Accessories (included) | aluminum sheathed fiber optic

Remarks

Remarks | Recommendation: check the unit for reliable function after a short circuit.

Pack quantity [piece] | 1