

no longer available - archive entry

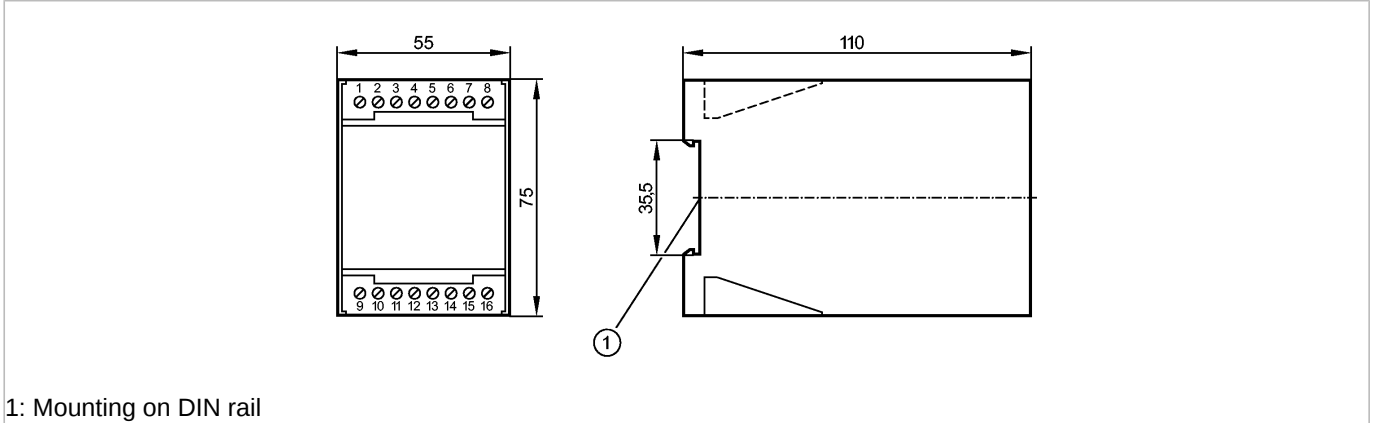
efector200

OV0012



OV-310/110VAC

Evaluation systems



1: Mounting on DIN rail



Product characteristics

Diagnostic electronics for photoelectric sensors

Housing for DIN rail mounting

Time function

4-stage setting aid

Input for blocking signal

Electrical data

Electrical design

Operating voltage [V]

Voltage tolerance [%]

Current consumption [mA]

Time function

Outputs

Output function

Switching frequency [Hz]

Contact rating

Environment

Ambient temperature [°C]

Protection housing / terminals

Tests / approvals

MTTF

Mechanical data

Housing materials

Weight [kg]

Displays / operating elements

Output status indication LED

Function display LED

Electrical connection

Connection

AC/DC

110 AC / 24 DC

±10

< 70

response/drop-out time or pulse operation
0.03...10 s adjustable

relay, light-on / dark-on programmable

16

1250 VA / < 8 A AC

0...70

IP 40 / IP 20

316

PBT

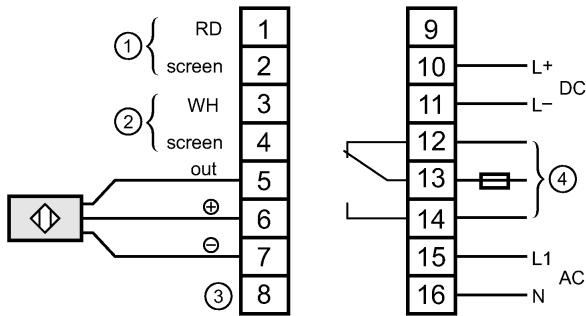
0.43

red

yellow

16 terminals...2.5 mm²

Wiring



Note: miniature fuse to IEC60127-2 sheet 1,
 ≤ 5 A (fast acting)

- 1 Transmitter
- 2 Receiver
- 3 blocking signal
- 4 Relay

Accessories

Accessories (included)	screwdriver
------------------------	-------------

Remarks

Remarks	Recommendation: check the unit for reliable function after a short circuit.
---------	---

Pack quantity	[piece] 1
---------------	-----------