

no longer available - archive entry Alternative article: OU5069

When selecting an alternative article and accessories please note that technical data may differ!

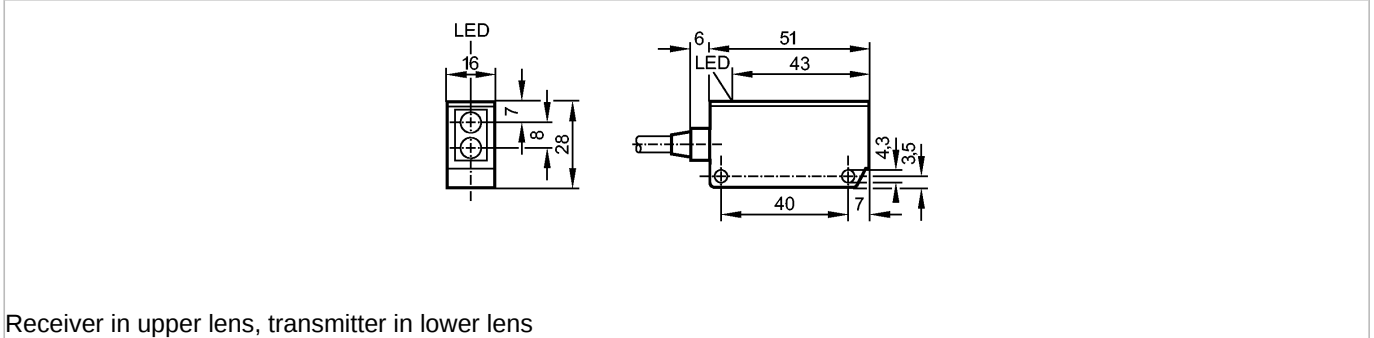
efector200

OU5025



OUN-HPKG

Photoelectric sensors



Receiver in upper lens, transmitter in lower lens



Product characteristics

Diffuse reflection sensor

Rectangular, plastics

Cable

Short ranges

Range 20...40mm (referred to white paper 200 x 200 mm)

Electrical data

Electrical design

DC PNP

Operating voltage [V]

10...55 DC

Current consumption [mA]

35 (24 V)

Type of light

Infrared light 880 nm

Protection class

II

Reverse polarity protection

yes

Outputs

Output function

light-on mode

Voltage drop [V]

< 2.5

Current rating [mA]

250

Short-circuit protection

yes (non-latching)

Overload protection

yes

Switching frequency [Hz]

160

Monitoring range

Range [mm]

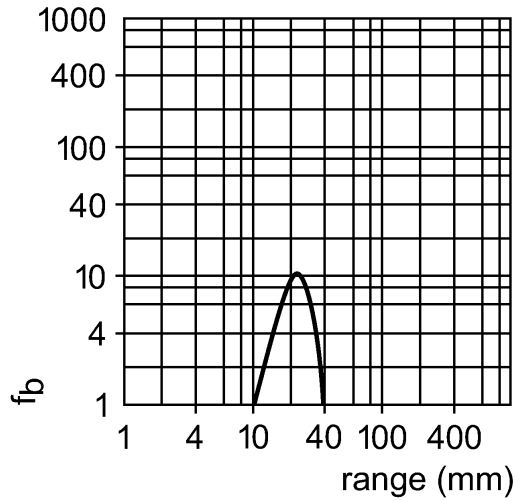
20...40 (referred to white paper 200 x 200 mm)

Light spot diameter [mm]

20 (at maximum range)

Excess gain graphs

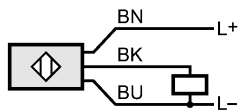
OU5025 - Diffuse reflection sensor - eclass: 27270903 / 27-27-09-03



| | | |
|-------------------------------|---------|---|
| Environment | | |
| Ambient temperature | [°C] | -25...80 |
| Protection | | IP 67 |
| Tests / approvals | | |
| EMC | | EN 60947-5-2 |
| MTTF | [Years] | 685 |
| Mechanical data | | |
| Housing materials | | modified PPO |
| Lens material | | glass |
| Weight | [kg] | 0.146 |
| Displays / operating elements | | |
| Output status indication | LED | yellow |
| Electrical connection | | |
| Connection | | PVC cable / 2 m; 3 x 0.34 mm ² |

Wiring

Core colors
 BN brown
 BU blue
 BK black



| | | |
|------------------------|---------|-----------------------|
| Accessories | | |
| Accessories (included) | | Angle bracket; E20211 |
| Remarks | | |
| Pack quantity | [piece] | 1 |

ifm efector, inc. • 1100 Atwater Drive • Malvern • PA 19355 — We reserve the right to make technical alterations without prior notice. — US — OU5025 — 06.03.2003
 no longer available - archive entry Alternative article: OU5069

When selecting an alternative article and accessories please note that technical data may differ!