

no longer available - archive entryDiscontinued article

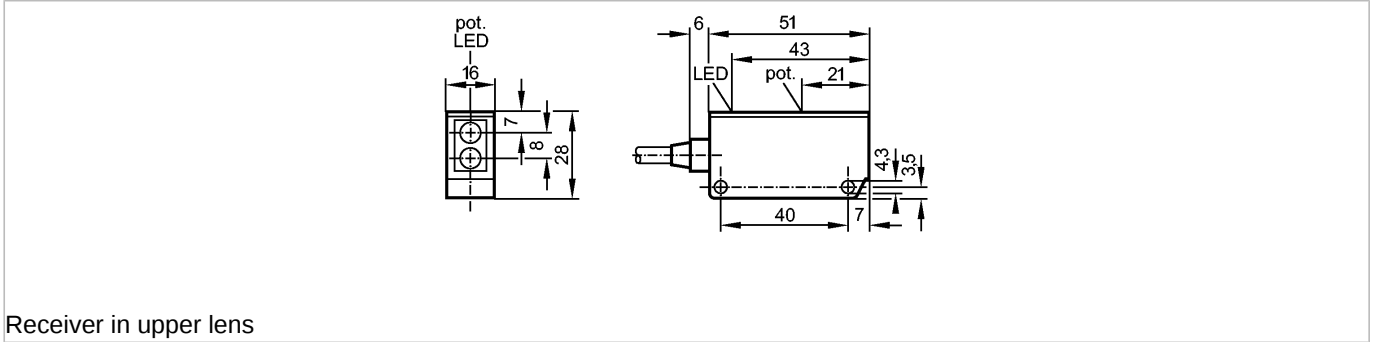
efector200

OU5008



OUE-DNKG

Photoelectric sensors



Receiver in upper lens



Product characteristics

Through-beam sensor

Rectangular, plastics

Cable

Receiver

Sensing range 6m

adjustable

Electrical data

Electrical design

DC NPN

Operating voltage [V]

10...55 DC

Current consumption [mA]

20 (24 V)

Type of light

Infrared light 950 nm

Protection class

II

Reverse polarity protection

yes

Outputs

Output function

dark-on mode

Voltage drop [V]

< 2.5

Current rating [mA]

250

Short-circuit protection

yes (non-latching)

Overload protection

yes

Switching frequency [Hz]

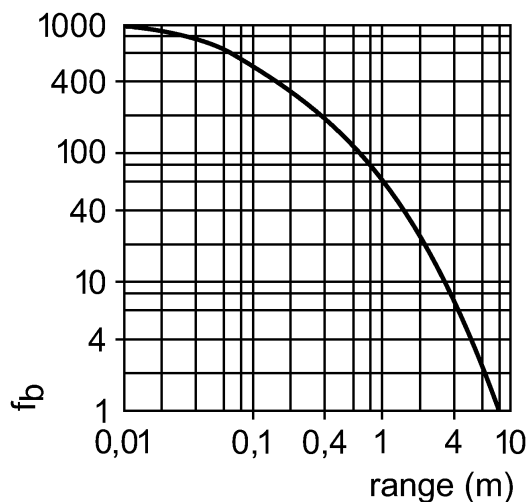
140

Monitoring range

Sensing range [m]

6

Excess gain graphs



OU5008 - Through-beam sensor - eclass: 27270901 / 27-27-09-01

Environment	
Ambient temperature [°C]	-25...80
Protection	IP 67
Tests / approvals	
EMC	EN 60947-5-2 EN 55011: class B
MTTF [Years]	672
Mechanical data	
Housing materials	modified PPO
Lens material	glass
Weight [kg]	0.148
Displays / operating elements	
Output status indication LED	yellow
Electrical connection	
Connection	PVC cable / 2 m; 3 x 0.34 mm ²

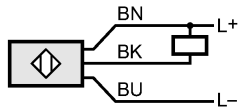
Wiring

Core colors

BN brown

BU blue

BK black



Accessories	
Accessories (included)	Angle bracket; E20211
Remarks	
Pack quantity [piece]	1

ifm efector, inc. • 1100 Atwater Drive • Malvern • PA 19355 — We reserve the right to make technical alterations without prior notice. — US — OU5008 — 06.03.2003
no longer available - archive entryDiscontinued article