

no longer available - archive entry Alternative article: OT5017

When selecting an alternative article and accessories please note that technical data may differ!

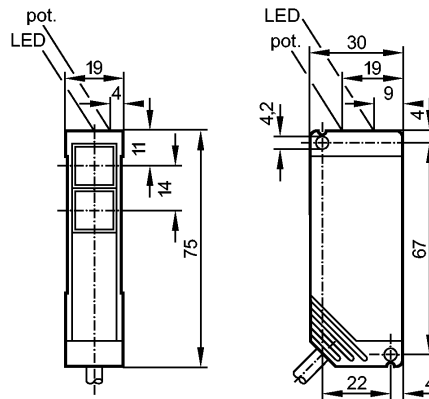
efector200

OT5026



OTP-FPKG/6M

Photoelectric sensors



1: potentiometer

Receiver in lower lens, Transmitter in upper lens



Product characteristics

Retro-reflective sensor

Rectangular, plastics

Cable

Polarization filter

Sensing range 0.2...2m (Prismatic reflector Ø 80 (E20005))

Electrical data

Electrical design

DC PNP

Operating voltage [V]

10...55 DC

Current consumption [mA]

35 (24 V)

Type of light

red light 660 nm

Protection class

II

Reverse polarity protection

yes

Outputs

Output function

light-on / dark-on programmable

Voltage drop [V]

< 2.5

Current rating [mA]

250

Short-circuit protection

yes (non-latching)

Overload protection

yes

Switching frequency [Hz]

150

Monitoring range

Sensing range [m]

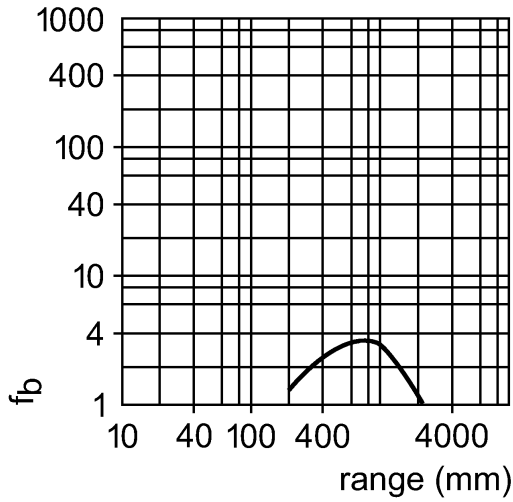
0.2...2 (Prismatic reflector Ø 80 (E20005))

Light spot diameter [mm]

280 (at maximum range)

Excess gain graphs

OT5026 - Retro-reflective sensor - eclass: 27270902 / 27-27-09-02

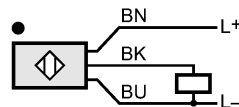
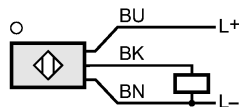


Environment	
Ambient temperature [°C]	-25...60
Protection	IP 67
Tests / approvals	
EMC	EN 60947-5-2 EN 55011: class B
MTTF [Years]	585
Mechanical data	
Housing materials	PBT
Lens material	PMMA
Weight [kg]	0.352
Displays / operating elements	
Output status indication LED	yellow
Power LED	green
Electrical connection	
Connection	PVC cable / 6 m; 3 x 0.34 mm ²

Wiring

Core colors

- BN brown
- BU blue
- BK black



Accessories

Accessories (included)	Angle bracket; E20441; screwdriver
Remarks	
Pack quantity [piece]	1

ifm efector, inc. • 1100 Atwater Drive • Malvern • PA 19355 — We reserve the right to make technical alterations without prior notice. — US — OT5026 — 22.02.2016

no longer available - archive entry Alternative article: OT5017

When selecting an alternative article and accessories please note that technical data may differ!