

no longer available - archive entry Alternative article: O5S501

When selecting an alternative article and accessories please note that technical data may differ!

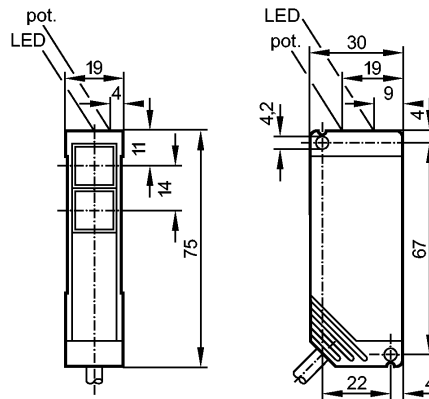
**efector200**

OT5005



OTS-00KG

Photoelectric sensors



1: potentiometer

one transmitting diode in upper and lower lens



Product characteristics

Through-beam sensor

Rectangular, plastics

Cable

Transmitter

Sensing range 10m

Electrical data

Electrical design

Operating voltage [V]

Current consumption [mA]

Type of light

Protection class

Reverse polarity protection

Outputs

Short-circuit protection

Overload protection

Monitoring range

Sensing range [m]

Light spot diameter [mm]

Environment

Ambient temperature [°C]

Protection

Tests / approvals

EMC

MTTF [Years]

Mechanical data

Housing materials

Lens material

Weight [kg]

Displays / operating elements

Power LED

Electrical connection

Connection

**Wiring**

DC

10...55 DC

20 (24 V)

Infrared light 880 nm

II

yes

yes (non-latching)

yes

10

524 ( at maximum range )

-25...60

IP 67

EN 60947-5-2

1862

PBT

PMMA

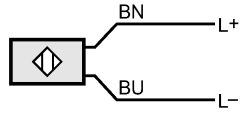
0.188

green

PVC cable / 2 m; 2 x 0.34 mm<sup>2</sup>

# OT5005 - Through-beam sensor - eclass: 27270901 / 27-27-09-01

Core colors  
BN brown  
BU blue



## Accessories

Accessories (included)

Angle bracket; E20441; screwdriver

Remarks

Pack quantity

[piece]

1

ifm efector, inc. • 1100 Atwater Drive • Malvern • PA 19355 — We reserve the right to make technical alterations without prior notice. — US — OT5005 — 06.03.2003

no longer available - archive entryAlternative article: O5S501

When selecting an alternative article and accessories please note that technical data may differ!