

Alternative article: OS5031

When selecting an alternative article and accessories please note that technical data may differ!

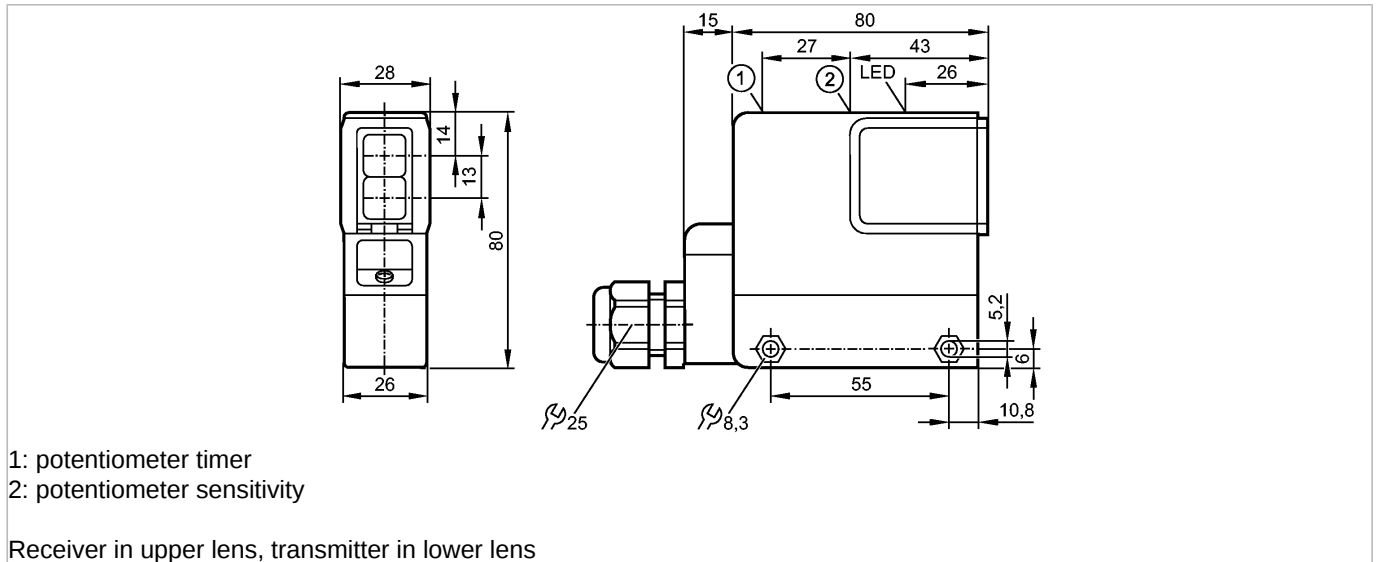
efector200

OS5032



OSP-FPKG/T

Photoelectric sensors



- 1: potentiometer timer
- 2: potentiometer sensitivity

Receiver in upper lens, transmitter in lower lens



Product characteristics

Retro-reflective sensor

Rectangular, plastics

Terminals

Polarization filter

Sensing range 6m (Prismatic reflector Ø 80 (E20005))

adjustable

Electrical data

Electrical design

Operating voltage [V]

Current consumption [mA]

Type of light

Protection class

Reverse polarity protection

Outputs

Output function

Voltage drop [V]

Current rating [mA]

Short-circuit protection

Overload protection

Switching frequency [Hz]

Timer [s]

Monitoring range

Sensing range [m]

Environment

Ambient temperature [°C]

Protection

Tests / approvals

EMC

MTTF [Years]

Mechanical data

Housing materials

DC PNP

10...55 DC

25 (24 V)

red light 660 nm

II

yes

light-on / dark-on programmable

< 2.5

250

yes (non-latching)

yes

40

0.01...5

6 (Prismatic reflector Ø 80 (E20005))

-25...60

IP 65

EN 60947-5-2

EN 55011: class B

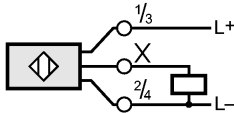
472

modified PPO

OS5032 - Retro-reflective sensor - eclass: 27270902 / 27-27-09-02

Lens material	glass
Weight [kg]	0.289
Displays / operating elements	
Output status indication LED	yellow
Electrical connection	
Connection	terminals up to 1.5 mm ² ; cable diameter 5...10 mm, cable gland M20 x 1.5

Wiring



Accessories

Accessories (included)	Angle bracket; E20210; screwdriver
------------------------	------------------------------------

Remarks

Pack quantity [piece]	1
-----------------------	---

ifm efector, inc. • 1100 Atwater Drive • Malvern • PA 19355 — We reserve the right to make technical alterations without prior notice. — US — OS5032 — 21.10.2010

Alternative article: OS5031

When selecting an alternative article and accessories please note that technical data may differ!