

no longer available - archive entry Alternative article: OS5016

When selecting an alternative article and accessories please note that technical data may differ!

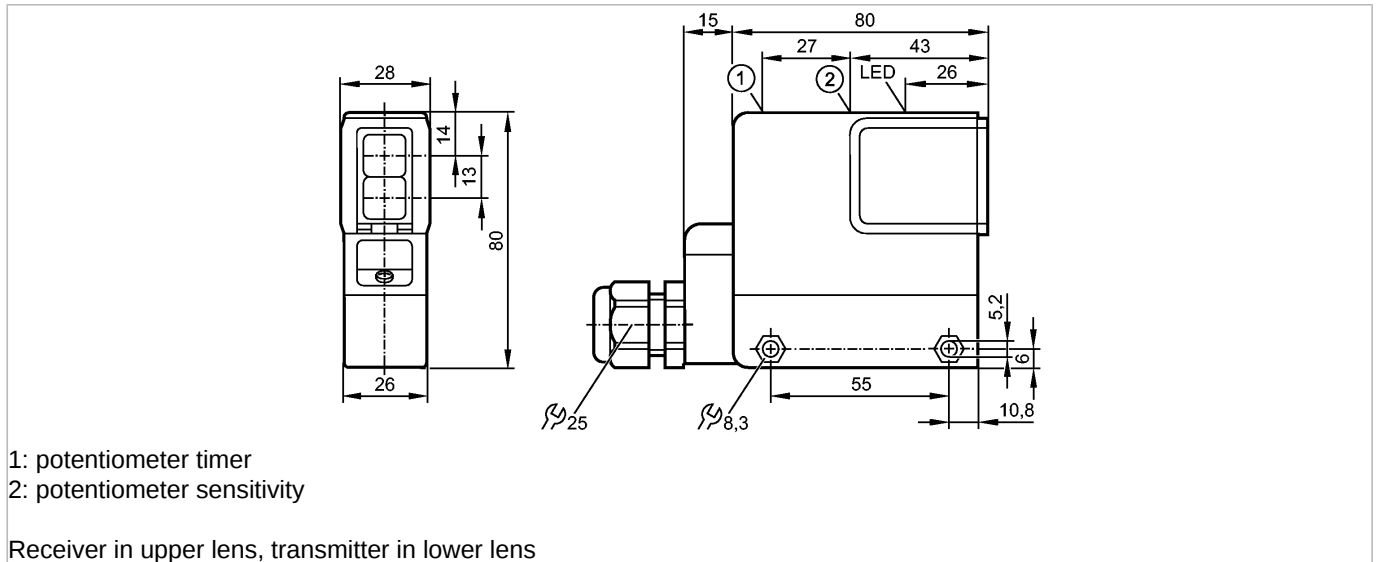
efector200

OS5025



OSR-FPKG/T

Photoelectric sensors



Product characteristics

Retro-reflective sensor

Rectangular, plastics

Terminals

Sensing range 10m (Prismatic reflector Ø 80 (E20005))

adjustable

Electrical data

Electrical design

DC PNP

Operating voltage [V]

10...55 DC

Current consumption [mA]

30 (24 V)

Type of light

Infrared light 950 nm

Protection class

II

Reverse polarity protection

yes

Outputs

Output function

light-on / dark-on programmable

Voltage drop [V]

< 2.5

Current rating [mA]

250

Short-circuit protection

yes (non-latching)

Overload protection

yes

Switching frequency [Hz]

100

Timer [s]

0.01...5

Monitoring range

Sensing range [m]

10 (Prismatic reflector Ø 80 (E20005))

Environment

Ambient temperature [°C]

-25...80

Protection

IP 65

Tests / approvals

EMC

EN 60947-5-2

EN 55011:

class B

MTTF [Years]

471

Mechanical data

Housing materials

modified PPO

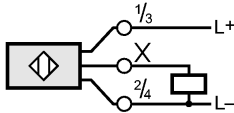
Lens material

glass

OS5025 - Retro-reflective sensor - eclass: 27270902 / 27-27-09-02

Weight	[kg]	0.276
Displays / operating elements		
Output status indication	LED	yellow
Electrical connection		
Connection		terminals up to 1.5 mm ² ; cable diameter 5...10 mm, cable gland M20 x 1.5

Wiring



Accessories		
Accessories (included)		Angle bracket; E20210; screwdriver
Remarks		
Pack quantity	[piece]	1

ifm efector, inc. • 1100 Atwater Drive • Malvern • PA 19355 — We reserve the right to make technical alterations without prior notice. — US — OS5025 — 21.10.2010

no longer available - archive entry Alternative article: OS5016

When selecting an alternative article and accessories please note that technical data may differ!