

no longer available - archive entry Alternative article: OS5013

When selecting an alternative article and accessories please note that technical data may differ!

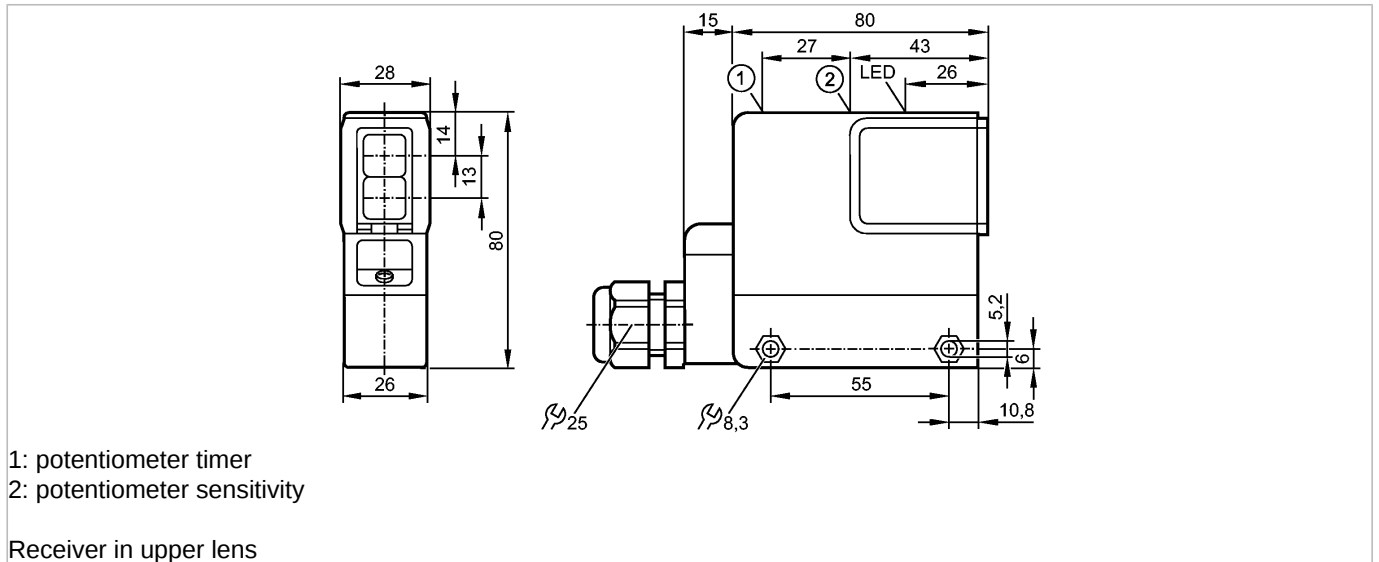
efector200

OS5022



OSE-FPKG/T

Photoelectric sensors



1: potentiometer timer
2: potentiometer sensitivity

Receiver in upper lens



Product characteristics

Through-beam sensor

Rectangular, plastics

Terminals

Receiver

Sensing range 20m

adjustable

Electrical data

Electrical design

Operating voltage [V]

Current consumption [mA]

Type of light

Protection class

Reverse polarity protection

Outputs

Output function

Current rating [mA]

Short-circuit protection

Overload protection

Switching frequency [Hz]

Timer [s]

Monitoring range

Sensing range [m]

Environment

Ambient temperature [°C]

Protection

Tests / approvals

EMC

MTTF [Years]

Mechanical data

Housing materials

Lens material

DC PNP

10...55 DC

20 (24 V)

Infrared light 880 nm

II

yes

light-on / dark-on programmable

250

yes (non-latching)

yes

100

0.01...5

20

-25...80

IP 65

EN 60947-5-2

EN 55011:

class B

463

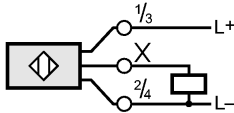
modified PPO

glass

OS5022 - Through-beam sensor - eclass: 27270901 / 27-27-09-01

Weight	[kg]	0.276
Displays / operating elements		
Output status indication	LED	yellow
Electrical connection		
Connection		terminals up to 1.5 mm ² ; cable diameter 5...10 mm, cable gland M20 x 1.5

Wiring



Accessories		
Accessories (included)		Angle bracket; E20210; screwdriver
Remarks		
Pack quantity	[piece]	1

ifm efector, inc. • 1100 Atwater Drive • Malvern • PA 19355 — We reserve the right to make technical alterations without prior notice. — US — OS5022 — 21.10.2010

no longer available - archive entry Alternative article: OS5013

When selecting an alternative article and accessories please note that technical data may differ!