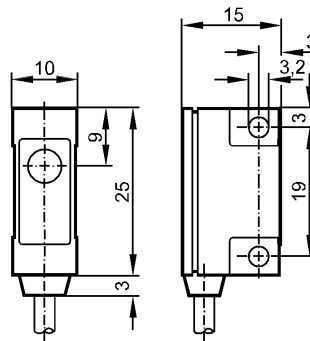




ORE-V

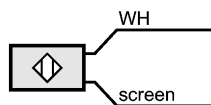
Photoelectric sensors



Product characteristics	
Through-beam sensor	
Rectangular, plastics	
Cable	
Receiver	
Sensing range 2m	
Electrical data	
Electrical design	connection to control monitors OV5012 or OV0010
Type of light	Infrared light 950 nm
Reverse polarity protection	no
Outputs	
Short-circuit protection	no
Overload protection	no
Monitoring range	
Sensing range [m]	2
Environment	
Ambient temperature [°C]	-20...80
Protection	IP 67
Tests / approvals	
MTTF [Years]	49633
Mechanical data	
Housing materials	modified PPO
Weight [kg]	0.061
Electrical connection	
Connection	screened cable / 2 m; 1 x 0.14 mm ²

Wiring

Core colors
WH white
screen screen



Accessories	
Accessories (included)	Angle bracket; E20212
Remarks	
Pack quantity [piece]	1