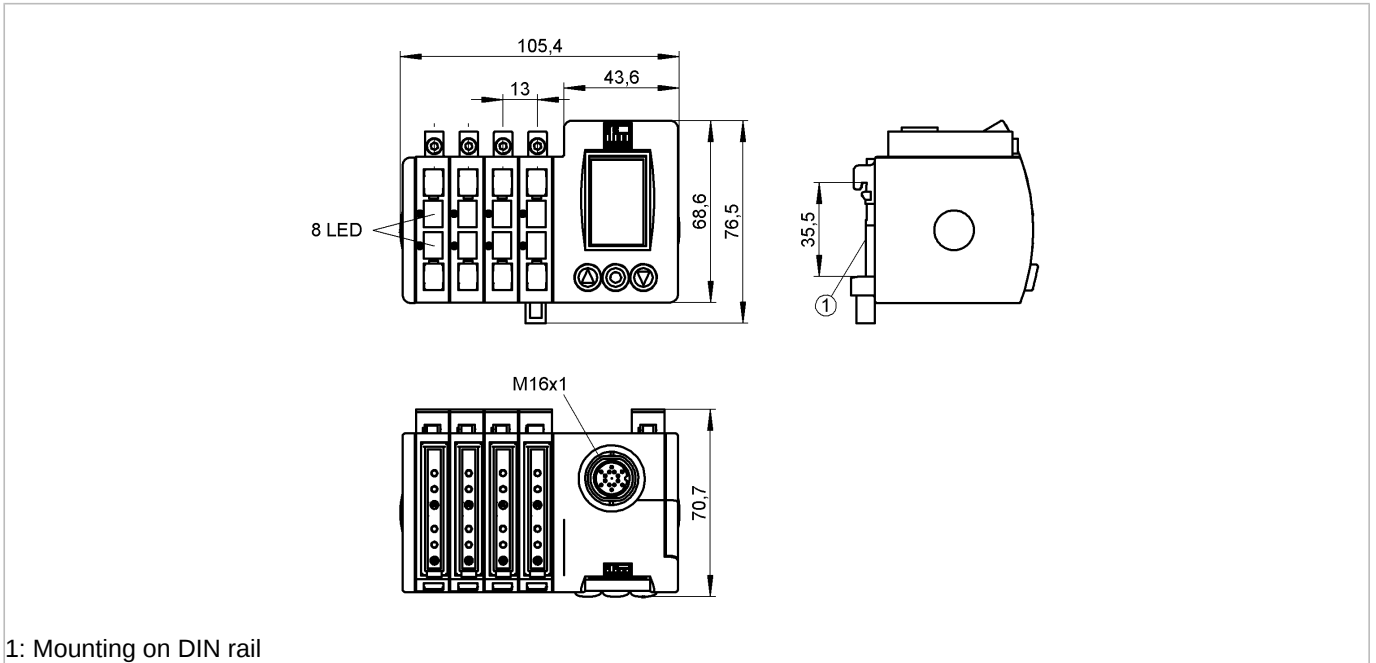




OOF-FNKG/M16/KL8

Photoelectric sensors




Product characteristics

Fiber-optic amplifier
Plastic housing
Quick disconnect
8 channels for 8 plastic fiber optics Types FE-11 / FT-11
No mutual optical interference
Graphic display
Central operation
Electronic lock
Function check output
Sensing range 3800mm (Through-beam sensor)
Range 0...300mm (Diffuse reflection sensor)
adjustable

Electrical data	
Electrical design	DC NPN
Operating voltage [V]	12...36 DC
Current consumption [mA]	50 (24 V)
Power consumption [VA]	1.3
Type of light	red light 630 nm
Protection class	III
Reverse polarity protection	yes
Outputs	
Output function	light-on / dark-on programmable
Voltage drop [V]	< 2
Current rating	
- Switching output [mA]	200
- Function check output [mA]	200
Short-circuit protection	yes (non-latching)
Overload protection	yes
Switching frequency [Hz]	800 typ.

OO5011 - Fiber-optic amplifier - eclass: 27270905 / 27-27-09-05

Timer	[s]	0.001...0.1
Monitoring range		
Sensing range	[m]	3.8 (Through-beam sensor)
Range	[mm]	0...300 (Diffuse reflection sensor)
Measuring / setting range		
Possible settings		- automatic and manual switch point setting - logic functions AND; OR - second switch point
Environment		
Ambient temperature	[°C]	-20...60
Protection		IP 65
Tests / approvals		
EMC		EN 60947-5-2 EN 55011: class B
Mechanical data		
Housing materials		housing: ABS; display window: PMMA; LED window: SEPS; cover: diecast zinc plastic coated (PA)
Weight	[kg]	0.568
Displays / operating elements		
Display		Display unit full graphic LCD display Switching status 8 x LED yellow
Display options		- display can be rotated by 180° - language selection (German, English, French)
Electrical connection		
Connection		M16 connector
Wiring		
		<p>E: Out 1 P: Out 2 S: Out 3 G: Out 4 C: Out 5 T: Out 6 N: Out 7 J: Out 8</p>
		O: function check
Accessories		
Accessories (included)		DIN rail EN60715; length: 94 mm
Remarks		
Remarks		cULus - Class 2 source required
Pack quantity	[piece]	1