

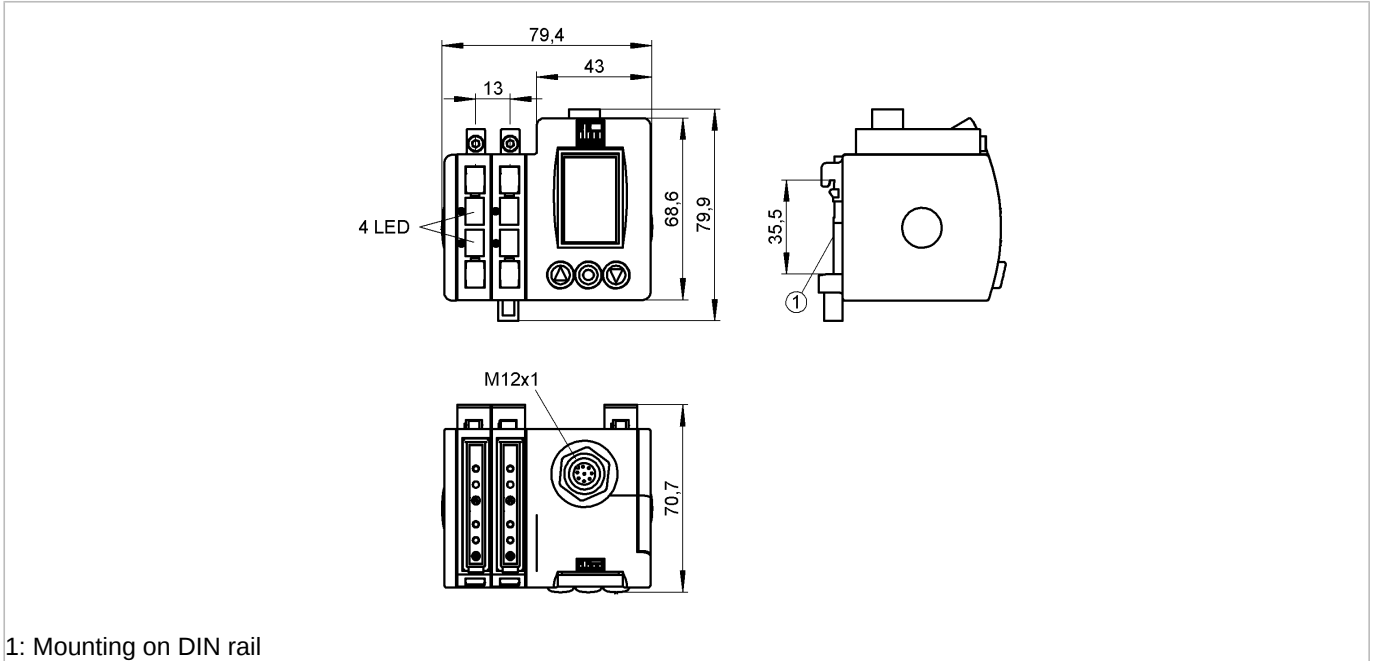
Please note the wiring of the sensor and the sockets (see data sheet) as for 8-pole sockets the core colours are not standardised.

efector200
OO5001



OO5-FPKG/M12/KL4

Photoelectric sensors



Product characteristics

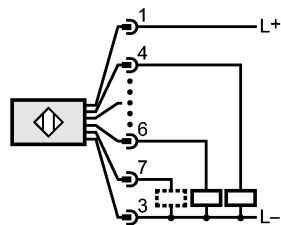
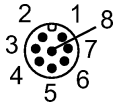
Fiber-optic amplifier
Plastic housing
Quick disconnect
4 channels for 4 plastic fiber optics Types FE-11 / FT-11
No mutual optical interference
Graphic display
Central operation
Electronic lock
Function check output
Sensing range 3800mm (Through-beam sensor)
Range 0...300mm (Diffuse reflection sensor)
adjustable

Electrical data	
Electrical design	DC PNP
Operating voltage [V]	12...36 DC
Current consumption [mA]	50 (24 V)
Power consumption [VA]	1.2
Type of light	red light 630 nm
Protection class	III
Reverse polarity protection	yes
Outputs	
Output function	light-on / dark-on programmable
Voltage drop [V]	< 2
Current rating	
- Switching output [mA]	200
- Function check output [mA]	200
Short-circuit protection	yes (non-latching)
Overload protection	yes

OO5001 - Fiber-optic amplifier - eclass: 27270905 / 27-27-09-05

Switching frequency [Hz]	1500 typ.
Timer [s]	0.001...0.1
Monitoring range	
Sensing range [m]	3.8 (Through-beam sensor)
Range [mm]	0...300 (Diffuse reflection sensor)
Measuring / setting range	
Possible settings	- automatic and manual switch point setting - logic functions AND; OR - second switch point
Environment	
Ambient temperature [°C]	-20...60
Protection	IP 65
Tests / approvals	
EMC	EN 60947-5-2 EN 55011: class B
Mechanical data	
Housing materials	housing: ABS; display window: PMMA; LED window: SEPS; cover: diecast zinc plastic coated (PA)
Weight [kg]	0.494
Displays / operating elements	
Display	Display unit full graphic LCD display Switching status 4 x LED yellow
Display options	- display can be rotated by 180° - language selection (German, English, French)
Electrical connection	
Connection	M12 connector

Wiring



4: Out 1
2: Out 2
5: Out 3
6: Out 4

7: function check

Accessories	
Accessories (included)	DIN rail EN60715; length: 68 mm
Remarks	
Remarks	cULus - Class 2 source required
Pack quantity [piece]	1

ifm efector, inc. • 1100 Atwater Drive • Malvern • PA 19355 — We reserve the right to make technical alterations without prior notice. — US — OO5001 — 27.11.2008
Please note the wiring of the sensor and the sockets (see data sheet) as for 8-pole sockets the core colours are not standardised.