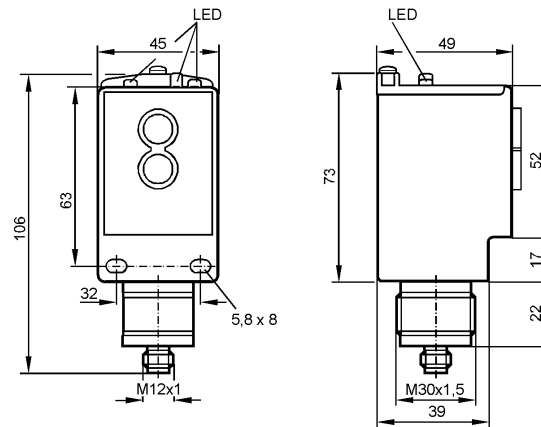


OM5005

OMF-FCKG/US-100

Photoelectric sensors



Receiver in lower lens, Transmitter in upper lens



Product characteristics

Fiber-optic amplifier	
Rectangular, plastics	
Quick disconnect	
Sensing range 800mm (Through-beam sensor)	
Range 175mm (in diffuse reflection mode)	
adjustable	

Electrical data

Electrical design		DC PNP/NPN
Operating voltage	[V]	10...30 DC
Current consumption	[mA]	< 80
Type of light		red light 660 nm
Life expectancy typ.	[h]	100000 (25 °C)
Protection class		II
Reverse polarity protection		yes

Outputs

Output function		light-on / dark-on programmable
Voltage drop		
- Switching output	[V]	< 2
- Function check output	[V]	< 2
Current rating		
- Switching output	[mA]	100
- Function check output	[mA]	100
Short-circuit protection		yes (non-latching)
Overload protection		yes
Switching frequency	[Hz]	500

Monitoring range

Sensing range	[m]	0.8 (Through-beam sensor)
Range	[mm]	175 (in diffuse reflection mode)

Reaction times

Response time	[ms]	< 1
---------------	------	-----

OM5005

OMF-FCKG/US-100

Photoelectric sensors

Environment

Ambient temperature	[°C]	-25...40
Protection		IP 67

Tests / approvals

EMC		IEC 1000-4-2/3/4/5/6
-----	--	----------------------

Mechanical data

Housing materials		ABS (glass fiber reinforced); connector housing: aluminum transparent anodized
Lens material		PMMA
Weight	[kg]	0.186

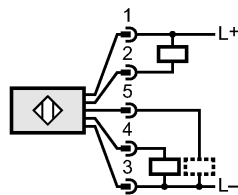
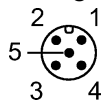
Displays / operating elements

Output status indication	LED	yellow
Power	LED	green
Function display	LED	red

Electrical connection

Connection		M12 connector
------------	--	---------------

Wiring



5: function check

Remarks

Pack quantity	[piece]	1
---------------	---------	---