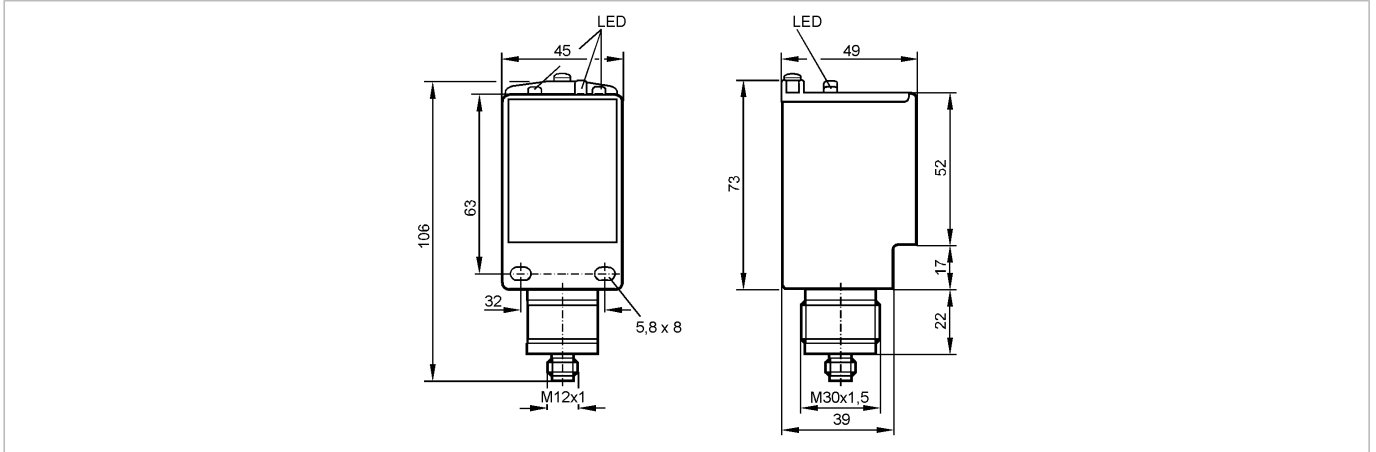




OMS-00KG/US-100

Photoelectric sensors



Product characteristics

Through-beam sensor

Rectangular, plastics

Quick disconnect

Transmitter

Sensing range 50m

Electrical data

Electrical design

Operating voltage [V]

Current consumption [mA]

Type of light

Protection class

Reverse polarity protection

Outputs

Short-circuit protection

Overload protection

Monitoring range

Sensing range [m]

Light spot diameter [mm]

Environment

Ambient temperature [°C]

Protection

Tests / approvals

EMC

Mechanical data

Housing materials

Lens material

Displays / operating elements

Power

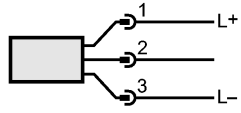
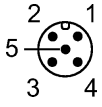
Electrical connection

Connection

**Wiring**

DC
10...30 DC
< 80
Infrared light 880 nm
II
yes
yes (non-latching)
yes
50
< 320 ( Sensing range 14 m )
-25...40
IP 67
IEC 1000-4-2/3/4/5/6
ABS (glass fiber reinforced); connector housing: aluminum transparent anodized
PMMA
green
M12 connector

OM5001 - Through-beam sensor - eclass: 27270901 / 27-27-09-01



2: Test

Remarks

Pack quantity [piece] 1

ifm efector, inc. • 1100 Atwater Drive • Malvern • PA 19355 — We reserve the right to make technical alterations without prior notice. — US — OM5001 — 06.03.2003  
no longer available - archive entry