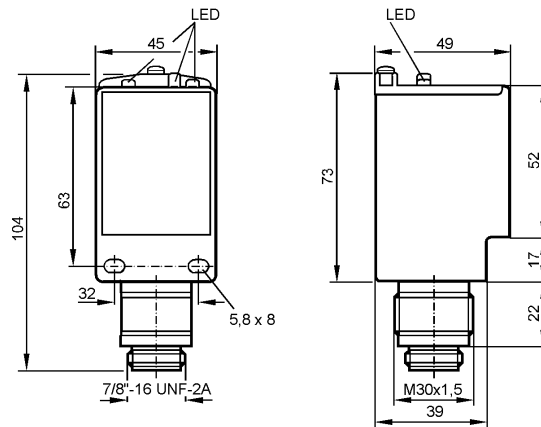


OM0010

OMT-FKOA/T/LS-500

Photoelectric sensors



Receiver in lower lens, Transmitter in upper lens



Product characteristics

Diffuse reflection sensor

Rectangular, plastics

Quick disconnect

Range 3500mm

adjustable

Electrical data

Electrical design		AC/DC relay
Operating voltage	[V]	24...240 AC/DC (47...63 Hz AC)
Power consumption	[VA]	6
Type of light		Infrared light 880 nm
Life expectancy typ.	[h]	50000 (25 °C)
Protection class		II

Outputs

Output function		light-on / dark-on programmable
Contact rating		3A / 250 V AC
Short-circuit protection		no
Switching frequency	[Hz]	10
Timer	[s]	0 / 1 / 5 / 10 / 14

Monitoring range

Range	[mm]	3500
-------	------	------

Reaction times

Response time	[ms]	< 10
---------------	------	------

Environment

Ambient temperature	[°C]	-25...40
Protection		IP 67

Mechanical data

Housing materials		ABS (glass fiber reinforced); connector housing: aluminum transparent anodized
Lens material		PMMA
Weight	[kg]	0.192

Displays / operating elements

OM0010

OMT-FKOA/T/LS-500

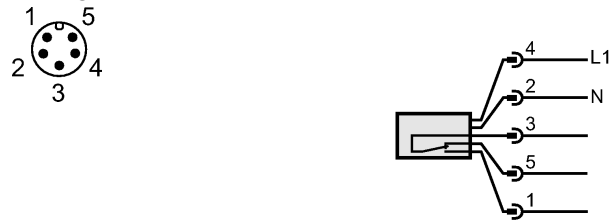
Photoelectric sensors

Output status indication	LED	yellow
Power	LED	green
Function display	LED	red

Electrical connection

Connection	7/8" connector
------------	----------------

Wiring



Remarks

Pack quantity	[piece]	1
---------------	---------	---