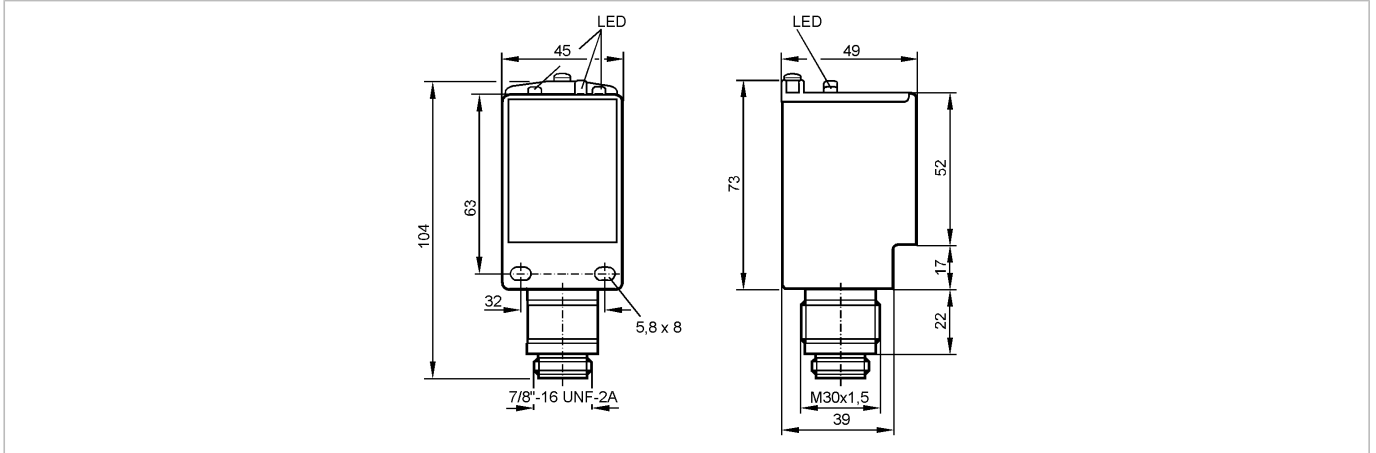




OMS-OOOW/LS-500

Photoelectric sensors



Product characteristics

Through-beam sensor

Rectangular, plastics

Quick disconnect

Transmitter

Sensing range 50m

Electrical data

Electrical design

Operating voltage [V]

Power consumption [VA]

Type of light

Life expectancy typ. [h]

Protection class

Outputs

Short-circuit protection

Monitoring range

Sensing range [m]

Light spot diameter [mm]

Environment

Ambient temperature [°C]

Protection

Mechanical data

Housing materials

Lens material

Displays / operating elements

Power LED

Electrical connection

Connection

AC/DC

24...240 AC/DC (47...63 Hz AC)

6

Infrared light 880 nm

100000 (25 °C)

II

no

50

< 320 (Sensing range 14 m)

-25...40

IP 67

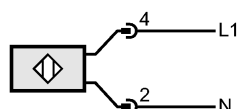
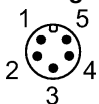
ABS (glass fiber reinforced); connector housing: aluminum transparent anodized

PMMA

green

7/8" connector

Wiring



Remarks

OM0007 - Through-beam sensor - eclass: 27270901 / 27-27-09-01

Pack quantity [piece] 1

ifm efector, inc. • 1100 Atwater Drive • Malvern • PA 19355 — We reserve the right to make technical alterations without prior notice. — US — OM0007 — 06.03.2003