

no longer available - archive entry Alternative article: O5E500 + E21122

When selecting an alternative article and accessories please note that technical data may differ!

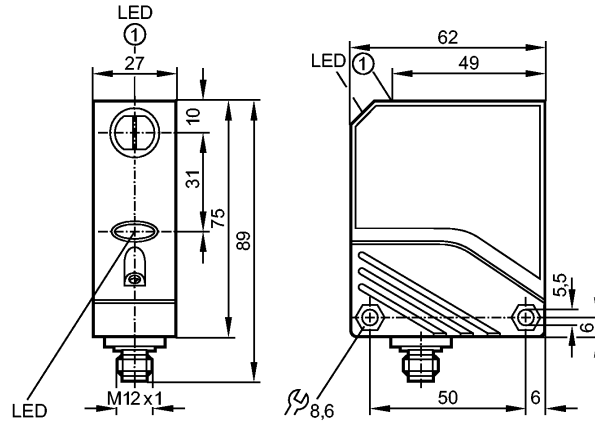
efector200

OL5016



OLE-FPKG/US-100

Photoelectric sensors



1: pushbutton



Product characteristics

Through-beam sensor

Rectangular, plastics

Quick disconnect

Function check output

Receiver

Sensing range 25m

Electrical data

Electrical design

Operating voltage [V]

Current consumption [mA]

Type of light

Protection class

Reverse polarity protection

Overvoltage protection [V]

Outputs

Output function

Voltage drop

- Switching output [V]

- Function check output [V]

Current rating

- Switching output [mA]

- Function check output [mA]

Short-circuit protection

Switching frequency [Hz]

Monitoring range

Sensing range [m]

Excess gain graphs

DC PNP

10...36 DC

< 30

Infrared light 880 nm

II

yes

yes

light-on / dark-on programmable

< 2.5

< 3.5

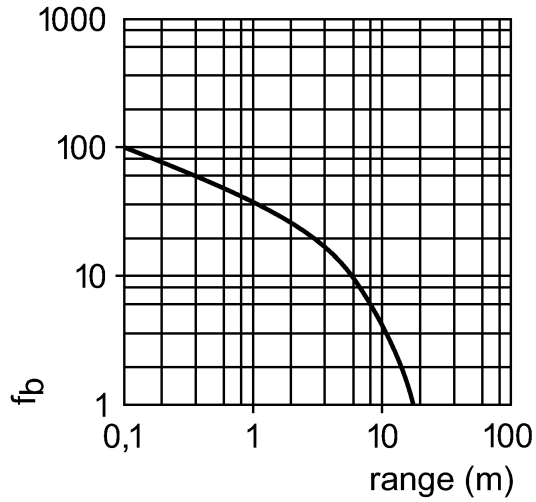
100

10

yes (non-latching)

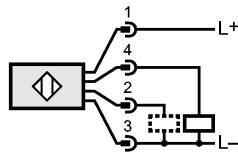
500

25



Environment	
Ambient temperature [°C]	-25...80
Protection	IP 67
Tests / approvals	
EMC	EN 60947-5-2 EN 55011: class B
MTTF [Years]	462
Mechanical data	
Housing materials	PA; PBT
Lens material	PMMA
Weight [kg]	0.174
Displays / operating elements	
Output status indication LED	yellow
Power LED	green
Function display LED	red
Electrical connection	
Connection	M12 connector

Wiring



2: function check

Remarks	
Pack quantity [piece]	1