

no longer available - archive entry Alternative article: O5S500 + E21122

When selecting an alternative article and accessories please note that technical data may differ!

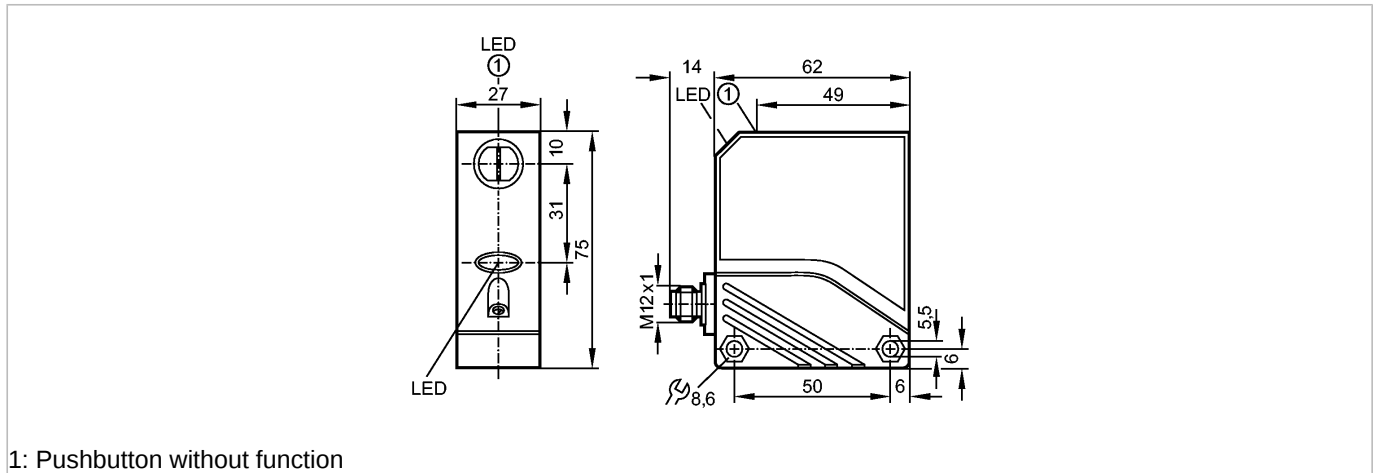
**efector200**

OL5013



OLS-00KG/US-100

Photoelectric sensors



1: Pushbutton without function



Product characteristics

Through-beam sensor

Rectangular, plastics

Quick disconnect

Transmitter

Sensing range 25m

Electrical data

Electrical design

DC

Operating voltage [V]

10...36 DC

Current consumption [mA]

< 22

Type of light

Infrared light 880 nm

Protection class

II

Reverse polarity protection

yes

Overvoltage protection [V]

yes

Outputs

Short-circuit protection

yes (non-latching)

Monitoring range

Sensing range [m]

25

Light spot diameter [mm]

< 2500 ( at maximum range )

Environment

Ambient temperature [°C]

-25...80

Protection

IP 67

Tests / approvals

EMC

EN 60947-5-2

EN 55011:

class B

MTTF [Years]

1085

Mechanical data

Housing materials

PA; PBT

Lens material

PMMA

Weight [kg]

0.173

Displays / operating elements

Power LED

green

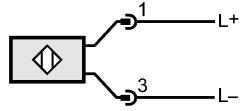
Electrical connection

Connection

M12 connector

Wiring

**OL5013 - Through-beam sensor - eclass: 27270901 / 27-27-09-01**



Remarks

Pack quantity [piece] 1

ifm efector, inc. • 1100 Atwater Drive • Malvern • PA 19355 — We reserve the right to make technical alterations without prior notice. — US — OL5013 — 03.03.2008  
no longer available - archive entryAlternative article: O5S500 + E21122

When selecting an alternative article and accessories please note that technical data may differ!