

no longer available - archive entry Alternative article: O5H504 + E11509 + E21122

When selecting an alternative article and accessories please note that technical data may differ!

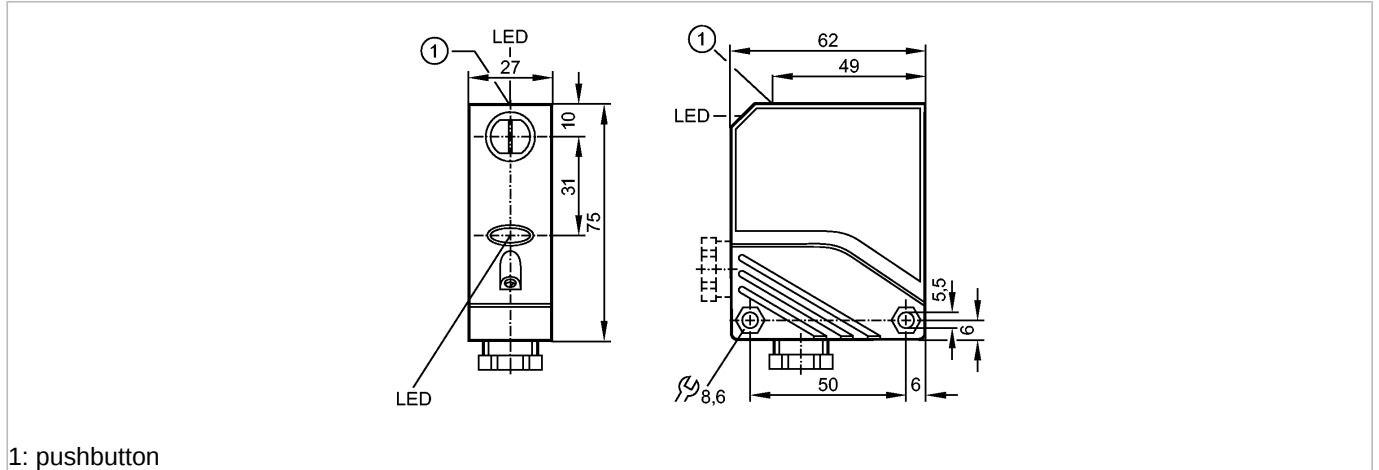
efector200

OL5007



OLT-FNKG

Photoelectric sensors



1: pushbutton



Product characteristics

Diffuse reflection sensor

Rectangular, plastics

Terminals

Function check output

Range 1...1000mm (Range referred to white paper 200 x 200 mm, 90 % remission)

adjustable

Electrical data

Electrical design

DC NPN

Operating voltage [V]

10...36 DC

Current consumption [mA]

< 37

Type of light

Infrared light 880 nm

Protection class

II

Reverse polarity protection

yes

Outputs

Output function

light-on / dark-on programmable

Voltage drop

- Switching output [V]

< 2.5

- Function check output [V]

< 3.5

Current rating

- Switching output [mA]

100

- Function check output [mA]

10

Short-circuit protection

yes (non-latching)

Overload protection

yes

Switching frequency [Hz]

500

Monitoring range

Range [mm]

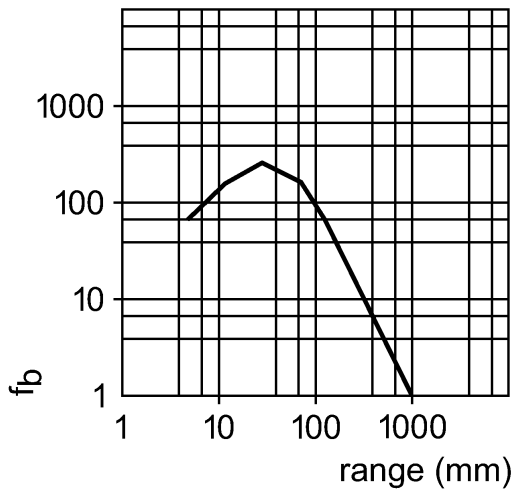
1...1000 (Range referred to white paper 200 x 200 mm, 90 % remission)

Light spot diameter [mm]

< 300 (at maximum range)

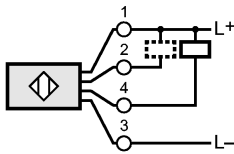
Excess gain graphs

OL5007 - Diffuse reflection sensor - eclass: 27270903 / 27-27-09-03



Environment	
Ambient temperature [°C]	-25...80
Protection	IP 67
Tests / approvals	
EMC	EN 60947-5-2 EN 55011: class B
Mechanical data	
Housing materials	PA; PBT
Lens material	PMMA
Weight [kg]	0.167
Displays / operating elements	
Output status indication LED	yellow
Power LED	green
Function display LED	red
Electrical connection	
Connection	terminals up to 1.5 mm ² ; cable diameter 4.5...10 mm, cable gland M16 x 1.5

Wiring



2: function check

Remarks

Pack quantity [piece]	1
-----------------------	---

ifm efector, inc. • 1100 Atwater Drive • Malvern • PA 19355 — We reserve the right to make technical alterations without prior notice. — US — OL5007 — 06.03.2003

no longer available - archive entry Alternative article: O5H504 + E11509 + E21122

When selecting an alternative article and accessories please note that technical data may differ!