

no longer available - archive entry Alternative article: O5H500 + E11509 + E21122  
 When selecting an alternative article and accessories please note that technical data may differ!

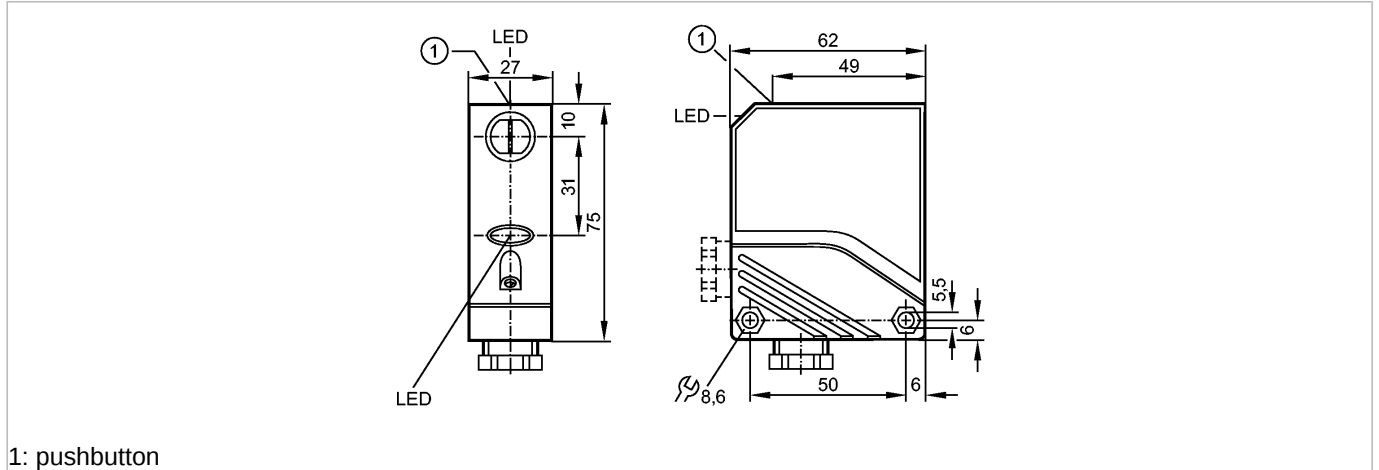
**efector200**

OL5006



OLT-FPKG

Photoelectric sensors



1: pushbutton



Product characteristics  
 Diffuse reflection sensor

Rectangular, plastics

Terminals

Function check output

Range 1...1000mm (Range referred to white paper 200 x 200 mm, 90 % remission)

adjustable

Electrical data

Electrical design

DC PNP

Operating voltage [V]

10...36 DC

Current consumption [mA]

< 37

Type of light

Infrared light 880 nm

Protection class

II

Reverse polarity protection

yes

Outputs

Output function

light-on / dark-on programmable

**Voltage drop**

- Switching output [V]

< 2.5

- Function check output [V]

< 3.5

**Current rating**

- Switching output [mA]

100

- Function check output [mA]

10

Short-circuit protection

yes (non-latching)

Overload protection

yes

Switching frequency [Hz]

500

Monitoring range

Range [mm]

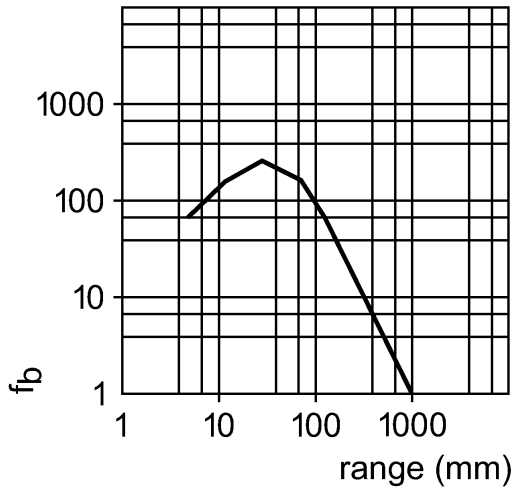
1...1000 (Range referred to white paper 200 x 200 mm, 90 % remission)

Light spot diameter [mm]

< 300 ( at maximum range )

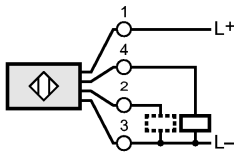
**Excess gain graphs**

**OL5006 - Diffuse reflection sensor - eclass: 27270903 / 27-27-09-03**



|                               |   |
|-------------------------------|---|
| Environment                   |   |
| Ambient temperature [°C]      | -25...80  |
| Protection                    | IP 67   |
| Tests / approvals             |   |
| EMC                           | EN 60947-5-2<br>EN 55011: class B   |
| Mechanical data               |   |
| Housing materials             | PA; PBT   |
| Lens material                 | PMMA  |
| Weight [kg]                   | 0.163   |
| Displays / operating elements |   |
| Output status indication LED  | yellow  |
| Power LED                     | green   |
| Function display LED          | red   |
| Electrical connection         |   |
| Connection                    | terminals up to 1.5 mm <sup>2</sup> ; cable diameter 4.5...10 mm, cable gland M16 x 1.5 |

**Wiring**



2: function check

Remarks

|                       |   |
|-----------------------|---|
| Pack quantity [piece] | 1 |
|-----------------------|---|

ifm efector, inc. • 1100 Atwater Drive • Malvern • PA 19355 — We reserve the right to make technical alterations without prior notice. — US — OL5006 — 06.03.2003

no longer available - archive entry Alternative article: O5H500 + E11509 + E21122

When selecting an alternative article and accessories please note that technical data may differ!